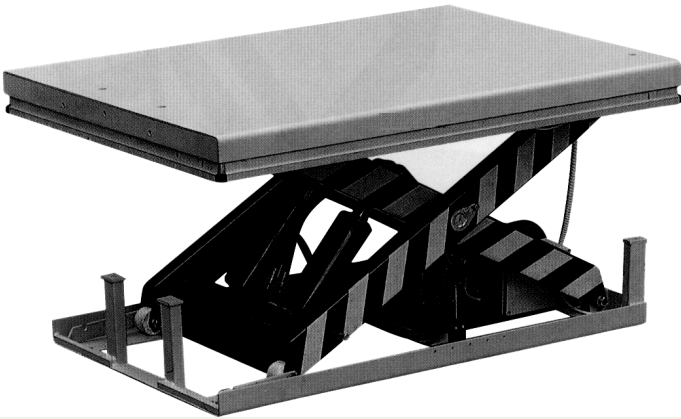


Instruction Manual

Electric Lift Table



Note: Owner/Operator must read and understand this instruction Manual before using the low profile lift table

THANK YOU VERY MUCH FOR SELECTING OUR PRODUCT.

THIS INSTRUCTION MANUAL DESCRIBES CORRECT OPERATING METHOD TO ENSURE PROLONGED SERVICE LIFE. PLEASE READ AND COMPLETELY UNDERSTAND THIS MANUAL BEFORE OPERATING THE LOW PROFILE LIFT TABLE. ALWAYS KEEP THIS MANUAL AT AN APPROPRIATE PLACE. IF THE MANUAL OR WARNING DECAL IS MISSING, PLEASE CONTACT WITH DEALER.

Note: This Manual has been prepared for skilled and competent personal. It provides instructions for using the product correctly and parts list. This Manual cannot replace the professional skills and expertise of the user.

1.



WARNING! *If operating the lift table improperly, a person may be seriously injured. Therefore, operate properly according to the following instruction*

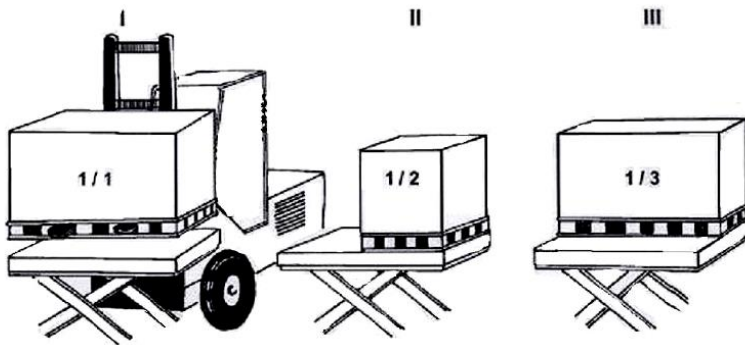
- ◇ Read & thoroughly understand the Instruction Manual completely before using. Follow all safety instructions strictly.
- ◇ It is necessary to check all safety devices before operation.
- ◇ Make sure that there are no obstacles in the working area.
- ◇ Do not put foot or hand in scissors mechanism or through frame.
- ◇ Screw the lifting eyes on the base frame before working on the lift table.
- ◇ Do not overload the lift table. Load should be distributed on the table according to relevant load distribution chart.
- ◇ Pay attention if local voltage and frequency is as same as the input specification of the lift table.
- ◇ Use the lift table on flat and solid ground.
- ◇ All the electrical connection and disconnection operations must be carried out by skilled and competent personal.

- ◇ While operation, it is forbidden to contact the moving parts of the lift table.
- ◇ While the lift table moving, it is forbidden to adjust or to move the load.
- ◇ It is forbidden to lift the load, which perhaps does harm to a person or other object.
- ◇ It is forbidden to operate the lift table while a person is under the table.
- ◇ Do not adjust the safety valve of hydraulic power pack.
- ◇ It is forbidden to operate the lift table even if there is small structure distortion.
- ◇ Do not use in an explosive or flammable place.

Note !Maximum load refers to the load being uniformly distributed over the entire platform area.

In accordance with **EN1570**, Safety Requirements for Lifting Tables, the basic requirements are:

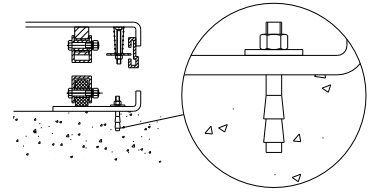
- I 100% of the rated load(maximum load) uniformly distributed over the entire platform area.
- II or 50% of the rated load(maximum load) uniformly distributed over half the length of the platform.
- III or 33% of the rated load(maximum load) uniformly distributed over half the width of the platform.



2. INSTALLATION OF LIFT TABLE ON THE FLOOR/GROUND OR IN A PIT



Double or triple vertical
scissors tables must be
fixed to the floor/ground

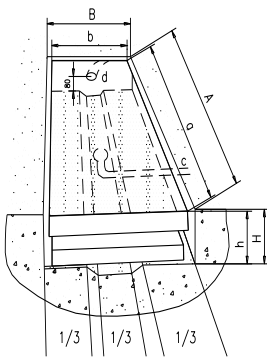


by means of expander bolts or similar,
We also recommend that all other lift
table types, with the exception of mobile units, are securely
affixed on the floor to Prevent unintentional movement

Mechanical/electrical installation

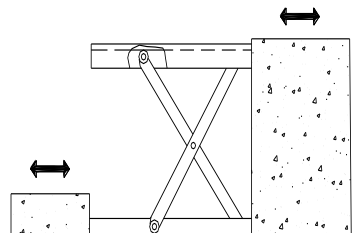
1. The base frame of the lift table is not as standard self-supporting. It is important that the flooring is flat and stable and that the installation area or pit, when necessary, is well drained.
2. Utilize a lifting sling through the scissor package. Tie the base frame to the platform or the scissor mechanism. Locate the table into the desired position. Turn the fixed arm end to the side where the load will be moved on or off at upper level. See picture below.
3. Check the operation of the safety frame on all sides.
4. The control device should be positioned so that the operator has a clear view over the lift table and the load at all times when the lift is operated.

Loading/unloading at the fixed arm end



Pit drawing

- A. Pit length = $a + 30\text{mm}$
- B. Pit width = $b + 30\text{mm}$
- H. Pit depth = closed height of table + 5mm
- a. Platform length
- b. Platform width
- c. Drainage hole (when required)
- d. Tube for external cables and hoses $\phi 60\text{mm}$
- h. Lowest height



3.



CAUTION! *If operating the lift table improperly, a person may be injured. Therefore, operate properly according to the following instruction.*

- ◇ The lift table is a movable lifter designed to lift or lower rated load. Do not use it for other purpose.
- ◇ Do not allow a person to operate the lift table, who does not understand its operation.
- ◇ It is forbidden to change the lift table without manufacturer's written admission.
- ◇ It is necessary to use the spare parts designated by manufacturer.
- ◇ Make sure to keep a distance between the table and ambient objects enough to operate the lift table safely.
- ◇ Keep the hydraulic system under clean and safe condition.
- ◇ The hydraulic power pack features an electric lowering control. The coils must be fed with the required voltage as described on those coils. The power supply voltage should not exceed $\pm 10\%$ of the rated required voltage.
- ◇ Always do maintenance and routine check while the lift table is unloaded.
- ◇ The lift table is not waterproof and should be used in a dry environment.

4. DAILY INSPECTION

Daily inspection is effective to find the malfunction or fault on the lift table. Before operation, check the lift table according to the following points.



CAUTION! *Do not use the lift table if any malfunction or fault is found.*

- ◇ Check all the terms of WARNING and CAUTION.

- ◇ Check scratches, bending or crack on the lift table.
- ◇ Check smooth movement of the table.
- ◇ Check if there is any hydraulic oil leakage.
- ◇ Check the vertical creep of the table.
- ◇ Check if all the bolts and nuts are firmly tightened.

5. OPERATING THE LIFT TABLE

■ LOADING

Load should be distributed on the lift table equably.

■ Lifting the Table



CAUTION! Do not overload the lift table. Ensure the balance of loading. Do not load partially or concentrically.

- ◇ Screw and loose emergency stop switch.
- ◇ Push the UP button and power pack starts to work to lift the load.
- ◇ Loose the UP button and power pack stops working.

■ LOWERING THE TABLE



WARNING! Do not put foot or hand in scissors mechanism.

- ◇ Push the DOWN button and the table will lower.
- ◇ Loose the DOWN button and the table will stop.

NOTE

- ◇ The table is equipped with an aluminum guard to avoid accidental danger.
- ◇ If aluminum guard strikes an object while the table lowers, stop operation and check the lift table. After making sure no any abnormality, strike the UP button slightly and then the electric system will function as before.

■ EMERGENCY STOP

There are two methods of emergency stop as follows.

- ◇ Push down the emergency stop switch and the movement of table stops.
- ◇ Strike aluminum guard upward and the movement of table also stops.

■ TRANSPORTATION

If necessary, the lift table can be transported with attached ringbolts.

- ◇ Pay attention to the maximum capacity of lifting equipment to be used.
- ◇ Keep the ringbolts with reasonableness.

■ MOTOR WORKING TIME

- ◇ Motor hours of work in one hour less than nine minutes.

6. HYDRAULIC CIRCUIT & ELECTRIC PRINCIPLE DIAGRAM

See Figure 1 & Figure 2.

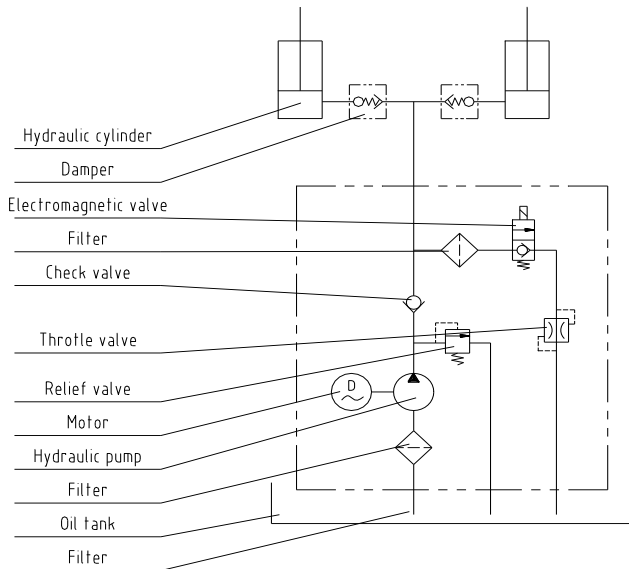
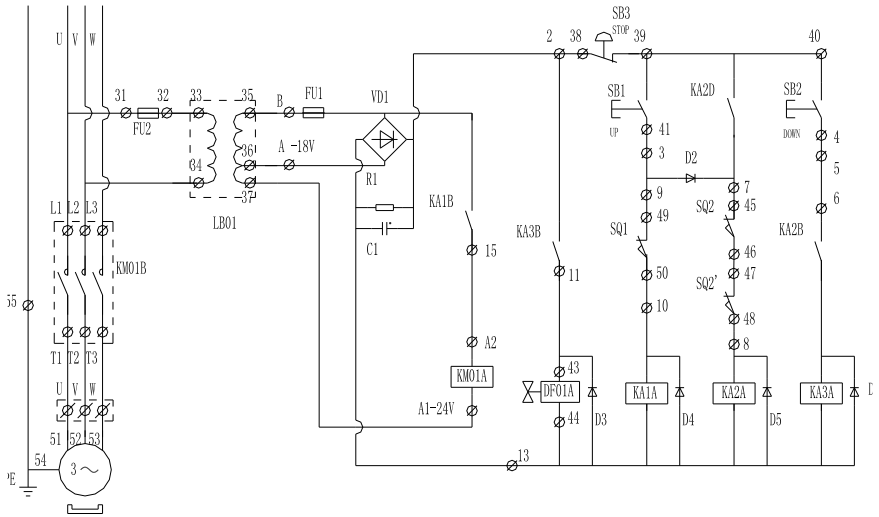


Fig. 1 Hydraulic circuit



No	Type	Name	Description	Qty
1	LB01	Control power transformer	DF30-110V-460V/0-24V 50VA	1
2	F1 F2	Fast melter	5A	2
3	VD1	Rectifier	RS-2510	1
4	VDR1	Voltage dependent resistor	10K/471 10K/821	1
5	R1	Resistor	1.8K/1W	1
6	C1	Electrolytic condenser	470uF/50V	1
7	KM01	AC contactor	BC-30-10	1
8	KA1 KA2	Middle relay	SRC-24VDC-SH	2
9	D1 D2 D3 D4 D5 D6 D7	Silicon rectifying diode	IN4007	7
10	DF01	Electromagnetic valve	DC24V	1
11	SB3	Emergency stop button	XB2-ES542C+ZB-BY9101	1
12	SB2	Down button	XB2-BA21C	1
13	SB1	Up button	XB2-BA21C	1
14	SQ1	Up limit switch	D4V-8108Z	1
15	SQ2	safety switch		2
16	SQ9	Down limit switch	D4V-8108Z(Prepared by customer)	1
17	M101	Pump motor		1
18	QF101	Circuit breaker	C45N3P 25A(Prepared by customer)	1
19	R6	Resistor	100/0.5w	1

20	R4	Resistor	10K/0805	1
21	R5	Resistor	1K/0805	1
22	RW01	Rheostat	50K	1
23	WD01	Stabilovolt tube	3.3V	1
24	C3 C4 C7 C8	Electrolytic condense	10uf/50V 10uf/16V	3
25	IC01	Integrated circuit	LM358	1
26	U04	Integrated circuit	KA7812	1
27	U02 U03	Electric dipole	P521	2
28	TA01	Current transformer	20A	1
29	R9 R10	Resistor	24K/0805	2
30	R8	Resistor	5.1K/0805	1
31	R11	Resistor	300K/0.5W	
32	C5 C6	Electrolytic condenser	0.015uF/1000V 0.01uF/1000V	2

Fig. 2 Electric Principle Diagram (3 P)

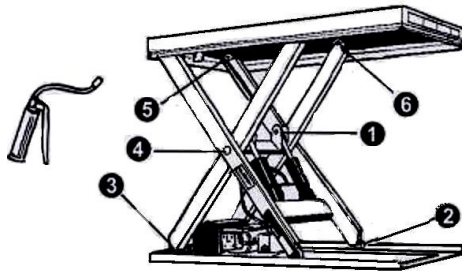
7. SERVICE INSTRUCTIONS

- Do routine check of fasteners, packing and oil leaking.
- Do routine check of the function of the lift table.
- Before service the lift table, make sure to turn off the AC power supply.
- After service it is necessary to check the function of the lift table again.
- ONLY a qualified personnel can do service work.
- Do routine check of the micro-switches on the safety guard.
- Do routine check of the hydraulic system by listening its noise, touch motor's surface.
- Caution: It is necessary to turn off the AC power supply before touch motor's surface.
- Pay attention to clear or even replace the oil filter after operating for a long time.
- Appropriate lubrication is necessary to make the lift table work easily and have a prolonged service life.
- Following table is recommended to service the lift table periodically.

Content	After every 500 hours' working or every 3 months later	After every 2000 hours' working or every year
Check oil level of oil tank	☆	
Check the cleanliness of oil filter	☆	
Fasten all the connecting parts again	☆	
Check wear and tear of pressure oil pipes	☆	
Check hydraulic cylinder	☆	
Fix main parts tightly again	☆	
Check the function of micro-switches	☆	
Check whole working state of the lift table	☆	
Lubricate all the joints and pivot points	☆	
Check wear and tear of all axial bushes		☆
Replace hydraulic oil for the first time	Accumulated working ten hours'	
Replace hydraulic oil		☆
Check oil leaking		☆
Remark: ☆ stands for proceeding the item.		

8. GREASING POINTS

1. Piston rod bearing
2. Lower running wheel
3. Lower arm fixing
4. Arm center
5. Upper arm fixing
6. Upper running wheel



When greasing the bearings the Lift Table must not be

loaded! When determining oil levels, bear in mind that the tank contains the greatest amount when the lift table is in its lowest position. Hydraulic oil must be treated as dangerous waste !

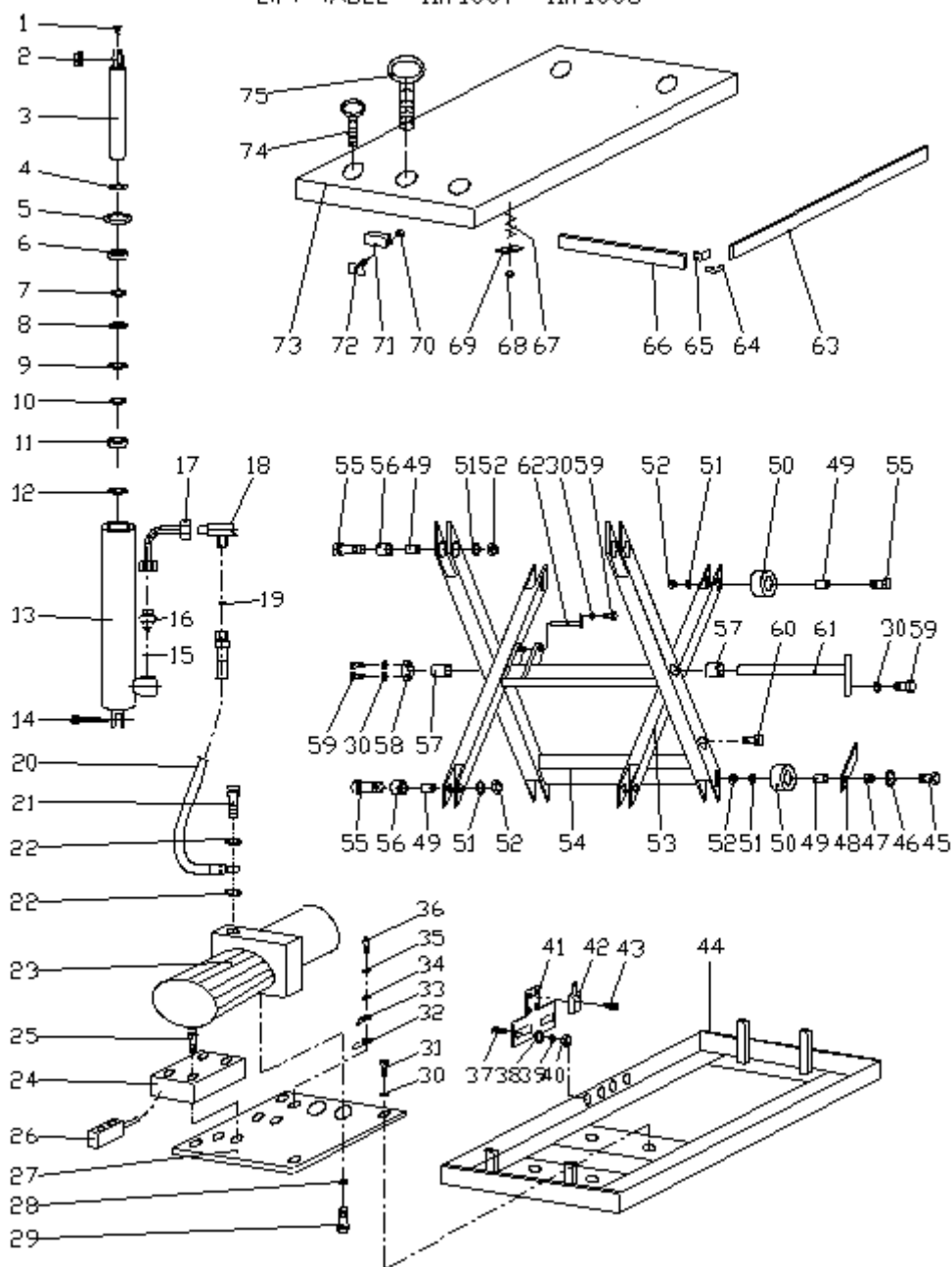
9. TROUBLE SHOOTING

Note: Before service it is necessary to put down the prop lest the table lowers accidentally.

Trouble	Cause	Remedy
Table cannot lift while motor works normally	<ul style="list-style-type: none"> ◇ Eyebolt has not been removed ◇ AC voltage phrases mistake ◇ Electromagnetic dysfunctions ◇ The table is overloaded 	<ul style="list-style-type: none"> ◇ Remove eyebolt ◇ Correct AC voltage phrase ◇ Check the function of electromagnetic valve and repair it ◇ Remove excessive load
Table cannot lift and motor does not work	<ul style="list-style-type: none"> ◇ Lowering limit switch (if existed) damaged 	<ul style="list-style-type: none"> ◇ Replace limit switch
Table cannot lower	<ul style="list-style-type: none"> ◇ Lowering limit switch or micro-switch on safety guard damaged ◇ Electromagnetic valve dysfunctions ◇ Safety guard works ◇ Something wrong with electric circuit board 	<ul style="list-style-type: none"> ◇ Replace lowering limit switch or micro-switch. ◇ Check the function of electromagnetic valve and repair it ◇ Strike the UP button slightly ◇ Replace electric circuit board
Table's legs go over limit position (if existed) while table lowers	<ul style="list-style-type: none"> ◇ Internal leaking in electromagnetic valve ◇ Packing damaged in hydraulic cylinder 	<ul style="list-style-type: none"> ◇ Repair electromagnetic valve and if necessary replace it ◇ Check and replace packing
Table cannot reach the highest position	<ul style="list-style-type: none"> ◇ Oil not enough ◇ Limit switch damaged 	<ul style="list-style-type: none"> ◇ Fill enough oil ◇ Check and repair limit switch. If necessary, replace it

The brand of oil is ISO HL32(such as Rando oil R&O32、D.T.E.oil light、Turb

LIFT TABLE HW4007 HW4008



LIFT TABLE SPARE PARTS LIST HW4007-4008

NO.	DESCRIPTION	QTY	NO.	DESCRIPTION	QTY
1	Grease cup M6	2	39	Spring washer 5	2
2	Bearing GE30ES	2	40	Nut M5	2
3	Piston rod	2	41	Frame of travel switch	1
4	Seal cover 32×25×7	2	42	Travel switch	1
5	Retaining ring ϕ 55	2	43	Bolt M5×10	4
6	Cylinder cover	2	44	Chassis	1
7	Snap ring ϕ 60	2	45	Bolt M12×70	2
8	O-ring 25×2.65	2	46	Washer 12	2
9	O-ring 55×2.65	2	47	Bushing	2
10	Snap ring ϕ 25	2	48	Prop	2
11	Piston	2	49	Bushing	8
12	Seal ring 60×44×18.4	2 set	50	Roller	4
13	Cylinder	2	51	Spring washer 12	8
14	Split pin 5×35	2	52	Nut M12	8
15	Seal ring 16	2	53	Internal scissors	1
16	Hose break valve	2	54	External scissors	1
17	Steel tube	2	55	Bolt M12×60	6
18	T joint	1	56	Bushing ϕ 20× ϕ 18×15	8
19	O-ring 6×1.8	1	57	Bushing	2
20	High pressure hose	1	58	washer	1
21	Joint	1	59	Bolt M8×20	5
22	Seal ring 14	2	60	Bolt	2
23	Hydraulic power pack	1	61	Pin	1
24	Electric box	1	62	Pin	2
25	Bolt M4×16	4	63	Safety frame I	2
26	Control switch	1	64	Fixed-board	4
27	Pump pack base	1	65	Connected-board	4
28	Spring washer 10	2	66	Safety frame II	2
29	Bolt M10×20	2	67	Spring	10
30	Spring washer 8	9	68	Nut M8	10
31	Bolt M8×10	4	69	Buffer-board	10
32	Indicator ϕ 6	1	70	Nut M4	4
33	Connector lug ϕ 6-4	1	71	Safety switch	2
34	Washer 6	1	72	Fixed-board	4
35	Spring washer 6	1	73	Table	1
36	Bolt M6×12	1	74	Lifting bolt M10	4
37	Bolt M5×20	2	75	Lifting bolt M16	1
38	Washer 5	2			