

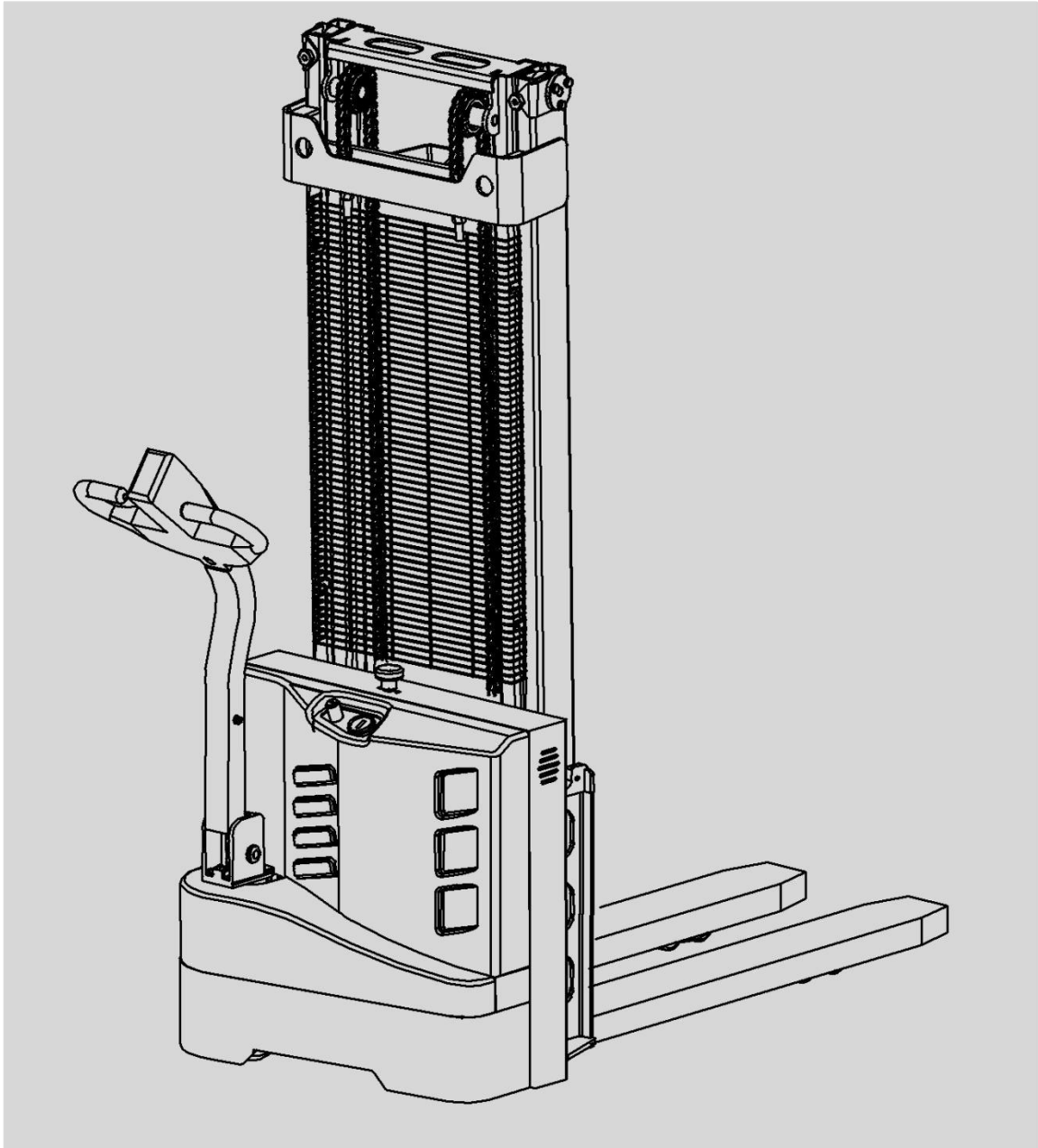
**version: 1004-A**

# Parts manual

---

## Electric Staker

**WS10S**



**2018-06**

## **PARTS ORDERING INSTRUCTIONS**

### **HOW TO ORDER**

When ordering the parts, please supply part number, parts name, quantity, model and serial number of your machine. Supplying this information will assure prompt, efficient handling of your order.

Since your dealer carries many parts in stock and maintains up-to-date files on all parts, he will be able to process your order immediately. If, for some reasons, the parts is not in stock, he will order it from the factor. In either event, he maintains a current file of service manuals, which give all available parts ordering or technical information.

### **WHERE TO ORDER**

Always order parts from the dealer who sold you the machine. If it is necessary for the dealer to order parts from the factory, he is able to get prompt service for you. Parts are shipped in accordance with shipping instructions given on the order.

### **INSTRUCTIONA FOR RETURNING PARTS**

Under NO CIRCUMSTANCES parts will be accepted at the factory for credit without prior approval. We can not accept responsibility for parts returned without authorization.

If you have some parts which must be returned, contact your dealer. If he believes parts should be returned, he will arrange for authorization to return the parts.

### **CHANGES**

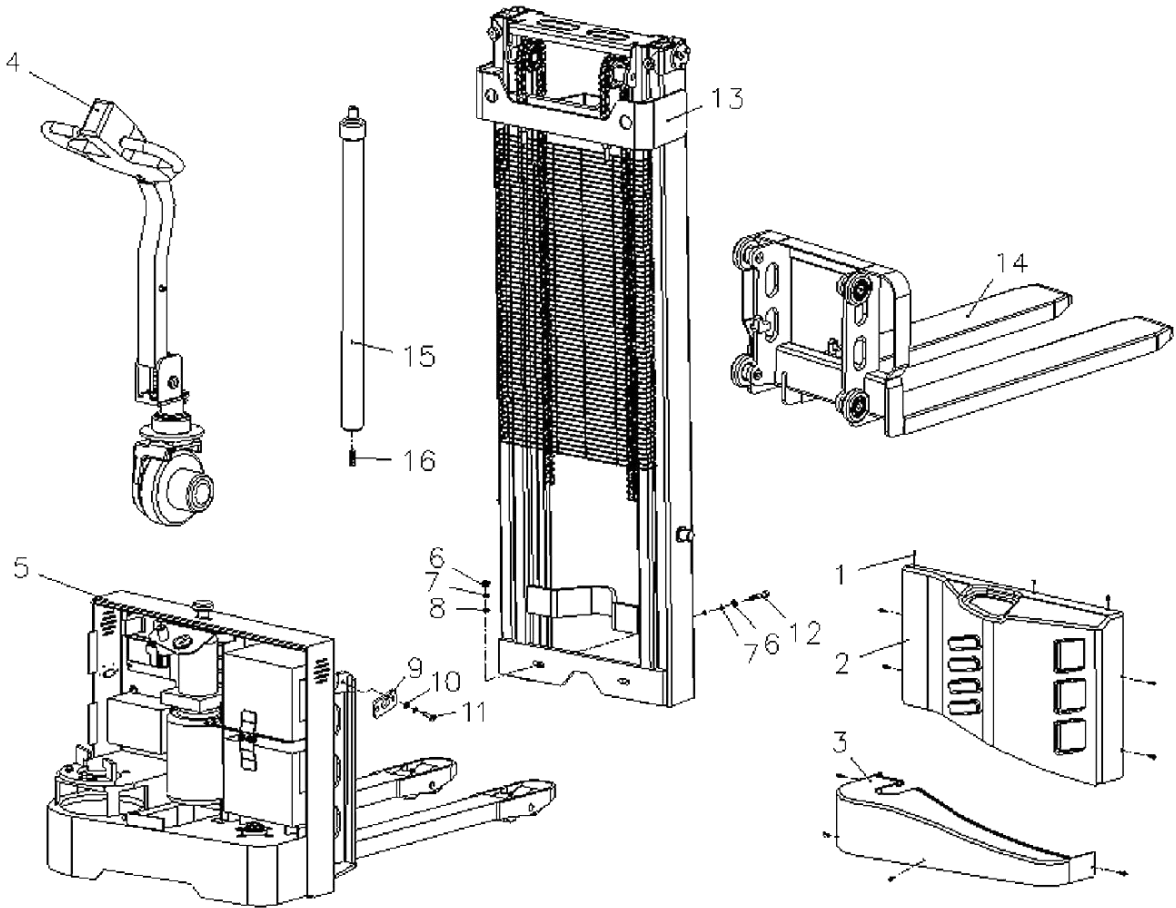
When changes are made to the machine, revised pages for this manual will be issued. These pages must be inserted in your parts manual as soon as they are received. Failure to keep your parts manuals up to date will result in confusion and may cause you to order wrong parts.

**ALL RIGHT RESERVED COPYRIGHT  
2018-06 2nd EDITION**

# Index

1. Frame assembly.....	1
2. Chassis assembly.....	3
3. Steering control system.....	7
4. Handle control box assembly.....	9
5. Driving unit assembly.....	11
6. Balance wheel assembly.....	13
7. Pump system.....	15
8. Mast system.....	17
9. Outer mast assembly.....	19
10. Inner mast assembly.....	21
11. Chain wheel system.....	23
12. Cylinder Assembly.....	25
13. Fork Assembly.....	27
14. Electrical control system exploded view and parts list.....	29

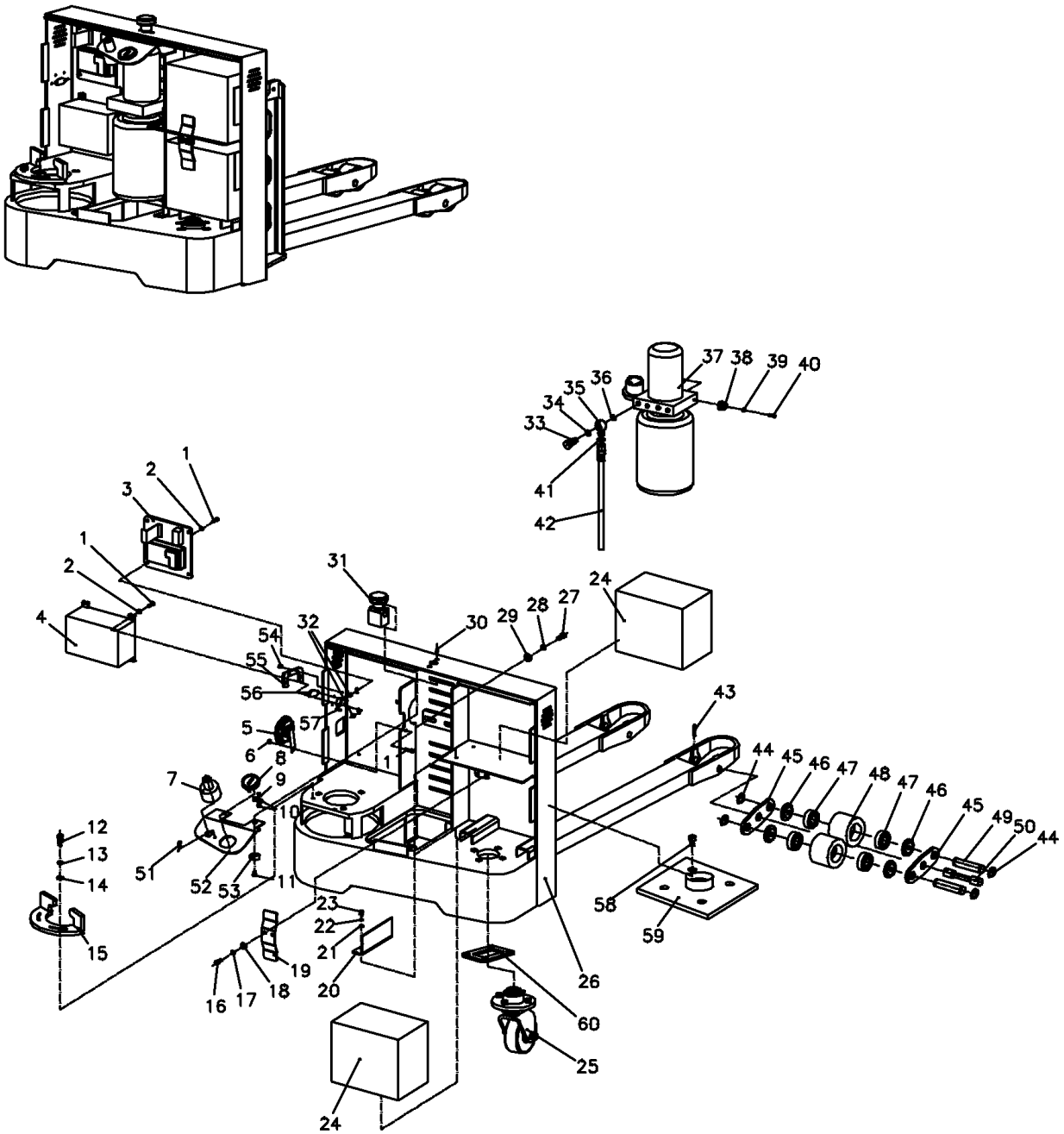
Fig.1 Frame assembly



## Fig.1 Frame assembly

Item	New Parts No.	Parts Number	Parts name	Qty
1	10040101	0818-0006010-00	Screw M6×10	9
2	10040102	ESC10MD000001-333	Rear upper cover	1
3	10040103	ESC10MD000002-333	Rear down cover	1
4	10040104	ESC15MD050000-390	Turning system	1
5	10040105	ESC15MD010000-390	Chassis assembly	1
6	10040106	0041-0012000-00	Nut M12	2
7	10040107	0093-0012000-00	Spring washer 12	2
8	10040108	0095-0012000-00	Flat washer 12	2
9	10040109	ESC15MD000001-390	Mast fixing plate	2
10	10040110	0095-0010000-00	Flat washer 10	4
11	10040111	0701-1010025-00	Screw M10×25	4
12	10040112	0701-1012025-00	Screw M12×25	4
13	10040113	ESC15MD040000-390	Mast system	1
14	10040114	ESC15MD030000-390	Fork assembly	1
15	10040115	ESC15MD020000-390	Hydraulic Assembly	1
16	10040116	0701-1012035-00	Screw M12×35	1

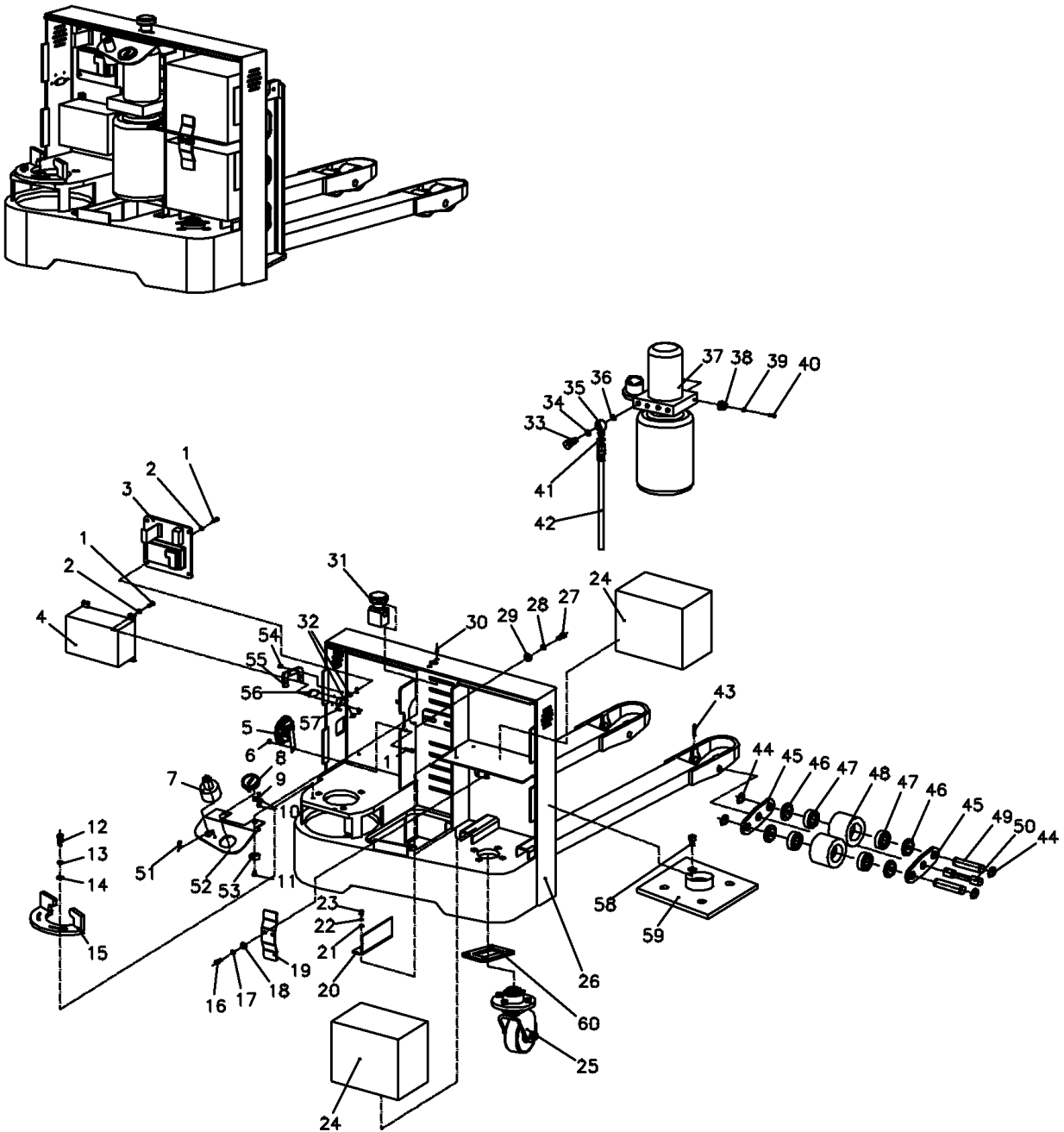
Fig.2 chassis assembly



## Fig.2 chassis assembly

No.	New Parts No.	Code	Part name	Qty
1	10040201	0701-1006015-00	Screw M6×15	8
2	10040202	0095-0006000-00	Flat washer 6	8
3	10040203	0000-0000068-00	Electrical control system	1
4	10040204	0000-0000069-00	Charger	1
5	10040205	0000-0000006-00	Horn	1
6	10040206	0041-0006000-00	Nut M6	1
7	10040207	0000-0000007-01	Key switch	1
8	10040208	0000-0000070-00	Battery indicator	1
9	10040209	0000-0000071-00	Plate	1
10	10040210	0000-0000072-00	Plastic clamp	2
11	10040211	0701-1006015-00	Screw M6×15	2
12	10040212	0701-1010030-00	Screw M10×30	2
13	10040213	0093-0010000-00	Spring washer 10	2
14	10040214	0095-0010000-00	Flat washer 10	2
15	10040215	ESC10MD012000-330	Turning baffle	1
16	10040216	0701-1008020-00	Screw M8×20	2
17	10040217	0093-0008000-00	Spring washer 8	2
18	10040218	0095-0008000-00	Flat washer 8	2
19	10040219	ESC10MD010001-300	Baffle	1
20	10040220	ESC10MD010001-308	Battery baffle	2
21	10040221	0095-0006000-00	Flat washer 6	4
22	10040222	0093-0006000-00	Spring washer 6	4
23	10040223	0701-1006010-00	Screw M6×10	4
24	10040224	6-EVF-80	Battery	2
25	10040225	ESC10MD012000-300	Balance wheel assembly	1
26	10040226	ESC15MD011000-390	Chassis	1
27	10040227	0701-1010020-00	Screw M10×20	2
28	10040228	0093-0010000-00	Spring washer 10	2
29	10040229	0095-0010000-00	Flat washer 10	2
30	10040230	8191-1005016-00	Screw M5×16	2
31	10040231	0000-0000012-00	Emergency stop button	1
32	10040232	0701-1006015-00	Screw M6×15	6

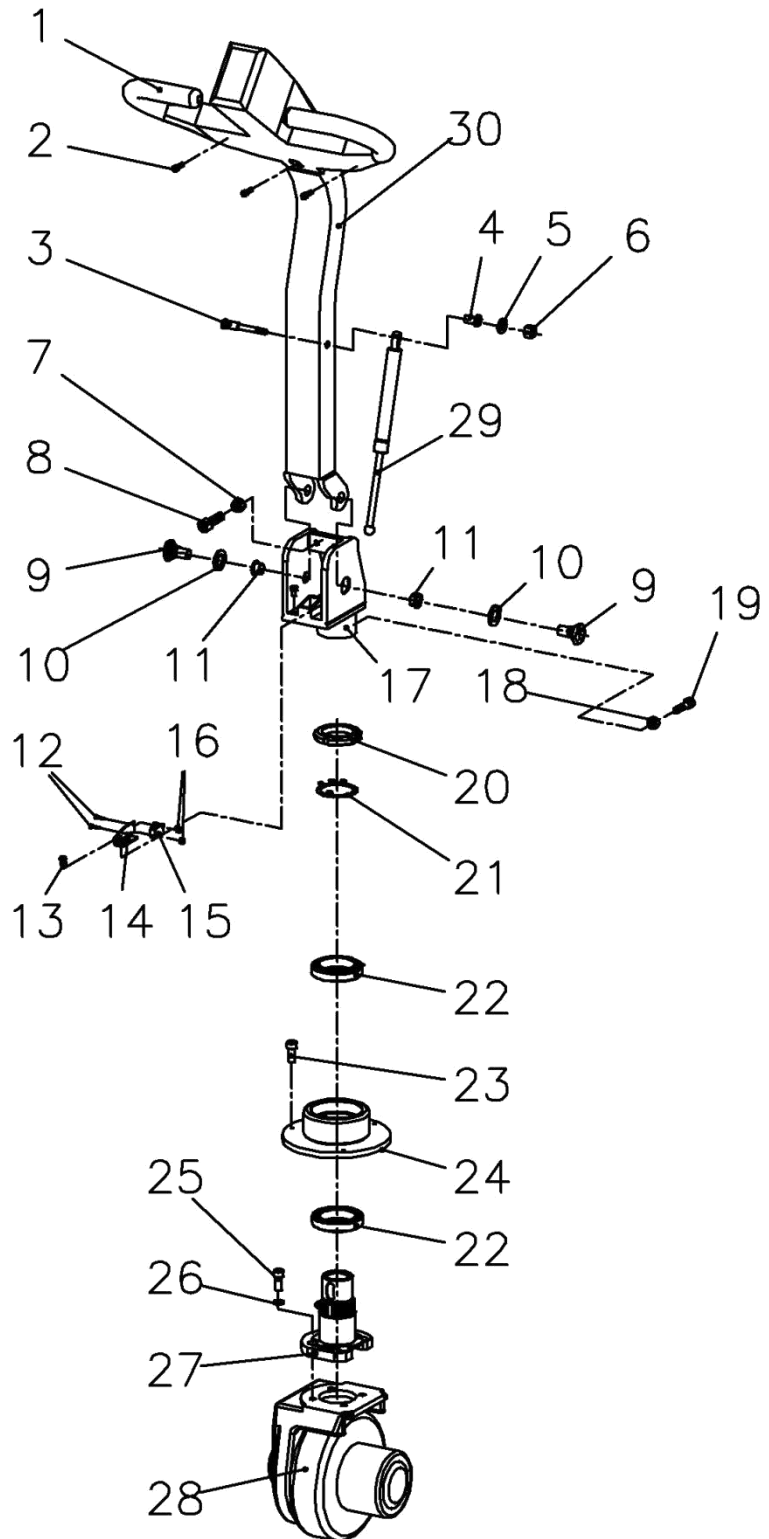
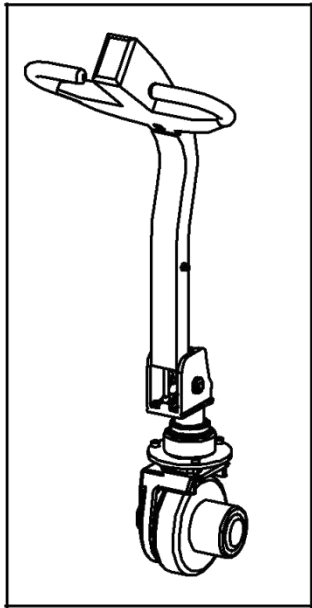
Fig.2 chassis assembly





No.	New Parts No.	Code	Part name	Qty
33	10040233	1M2.5DDDD27#	Connecting bolt	2
34	10040234	0982-0018000-00	Washer 18	2
35	10040235	1M2.5DDDD30	Connector	1
36	10040236	0982-0018000-00	Washer 18	3
37	10040237	0000-0000100-00	Pump	1
38	10040238	DDGJ(1/2.5)19	Rubber wheel	1
39	10040239	0093-0005000-00	Spring washer 5	1
40	10040240	0701-1005025-00	Screw M5×25	1
41	10040241		O ring 8.8×1.9	2
42	10040242	ESC10MD090000-300	Oil pipe assembly	1
43	10040243	GB879-86	Pin 5×50	2
44	10040244	GB894.1-86	Circlip 20	8
45	10040245	1M1.6YYYY01-07.01	Connecting plate	4
46	10040246	1M1.6YYYY01-06.03	Cover	8
47	10040247	GB276-94	Bearing 6204	8
48	10040248	1M1.6YYYY01-07.05	Front wheel	4
49	10040249	1M1.6YYYY01-07.06	Shaft	4
50	10040250	1M1.6YYYY01-07.07	Connecting shaft	2
51	10040251		Led	1
52	10040252	ESC15MD010001-390	Battery indicator mounting plate	1
53	10040253	ESC10MD010003-330	Cover	2
54	10040254	GB/T820-2000	Screw M5×10	4
55	10040255	ESC10MD010002-330	Baffle	1
56	10040256		Plug	1
57	10040257	GB/T818-2000	Screw M3×10	2
58	10040258	GB/T70.1-2000	Screw M10×20	4
59	10040259	ESC10MD014000-300	Cylinder mounting base	1
60	10040260	ESC15MD010002-390	Balance wheel plate	1

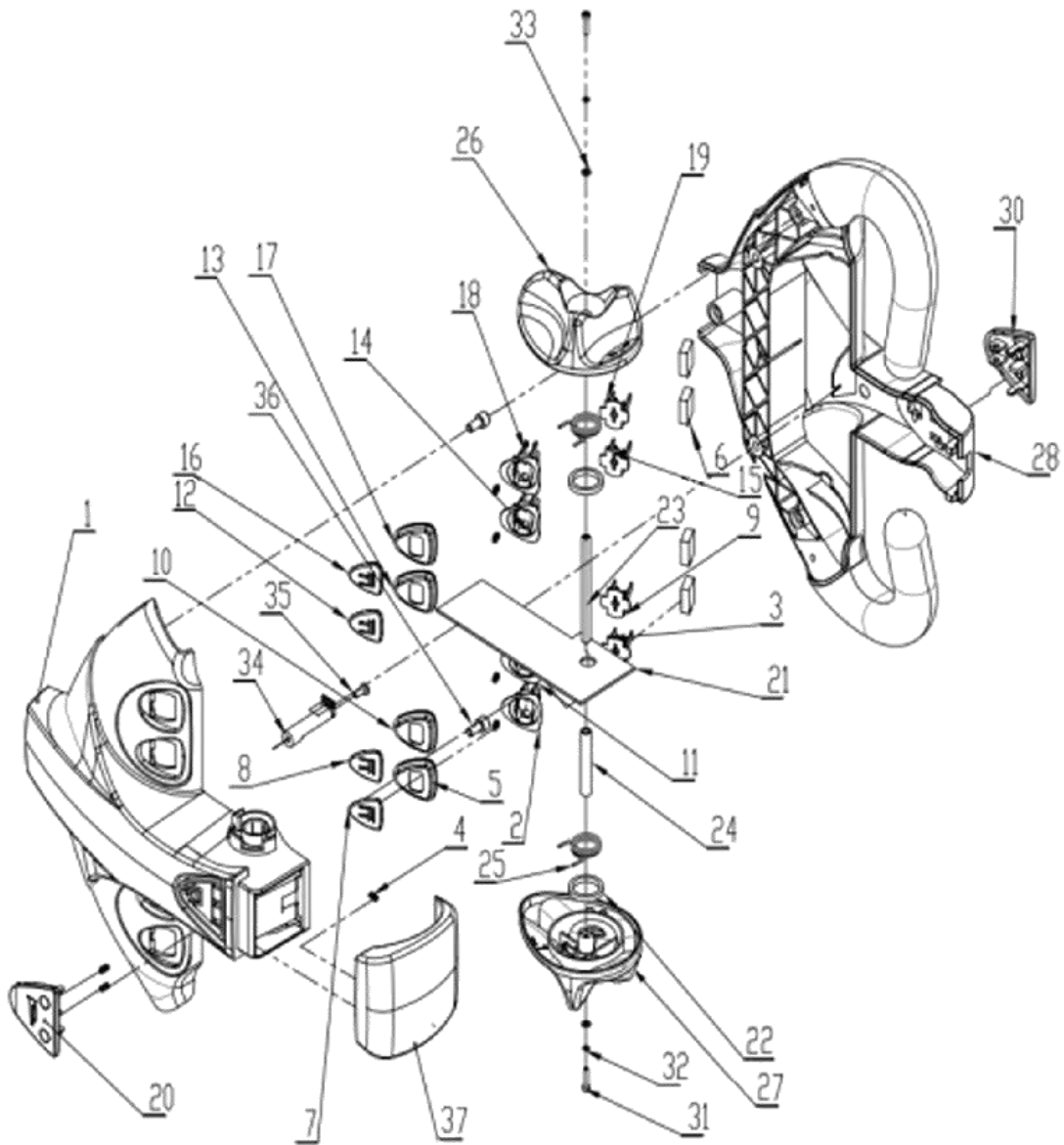
Fig.3 Steering system



### Fig.3 Steering control system

Item	New Parts No.	Parts Number	Parts name	Qty
1	10040301	0000-0000065-00	Handle bar	1
2	10040302	GB/T70.1-2000	Screw M6×10	3
3	10040303	ESC10MS050001-305	connecting shaft	1
4	10040304	ESC10MS050002-305	Shaft sleeve	1
5	10040305	GB/T95-2002	Flat washer 8	1
6	10040306	GB/T41-2000	NutM8×1.25	1
7	10040307	GB/T41-2000	NutM8×1.25	2
8	10040308	GB/T70.1-2000	Screw M8x20	2
9	10040309	ESB1.5M.01.00-02	Bolt	2
10	10040310	GB859	Spring washer 18	2
11	10040311	SF-16120	Bearing	2
12	10040312	GB/T 70.1-2000	Screw M3×20	2
13	10040313	GB/T70.1-2000	Screw M5×10	1
14	10040314	ESB1.5M.01.00-04	Inching switch base	1
15	10040315	0000-0000001-00	Inching switch	1
16	10040316	GB/T41-2000	NutM3	2
17	10040317	ESC10MS052000-305	Connecting	1
18	10040318	GB/T41-2000	NutM12×1.75	1
19	10040319	GB/T70.1-2000	Screw M12X35	1
20	10040320	GB/T890-1988	NutM55×2	1
21	10040321	GB/T858-1988	Lock wahser55	1
22	10040322	GB/T297-1998	Bearing32912	2
23	10040323	GB/T297-1994	Screw M10×15	3
24	10040324	ESC10MD053000-300	Mounting plate	1
25	10040325	GB/T70.1-2000	Screw M10×25	4
26	10040326	GB93-87	Spring washer 10	4
27	10040327	ESC10MD050004-300	Bracket	1
28	10040328	0000-0000066-00	Driving unit assembly	1
29	10040329	0000-0000067-00	Gas spring	1
30	10040330	ESC15MD051000-390	Handle shaft	1

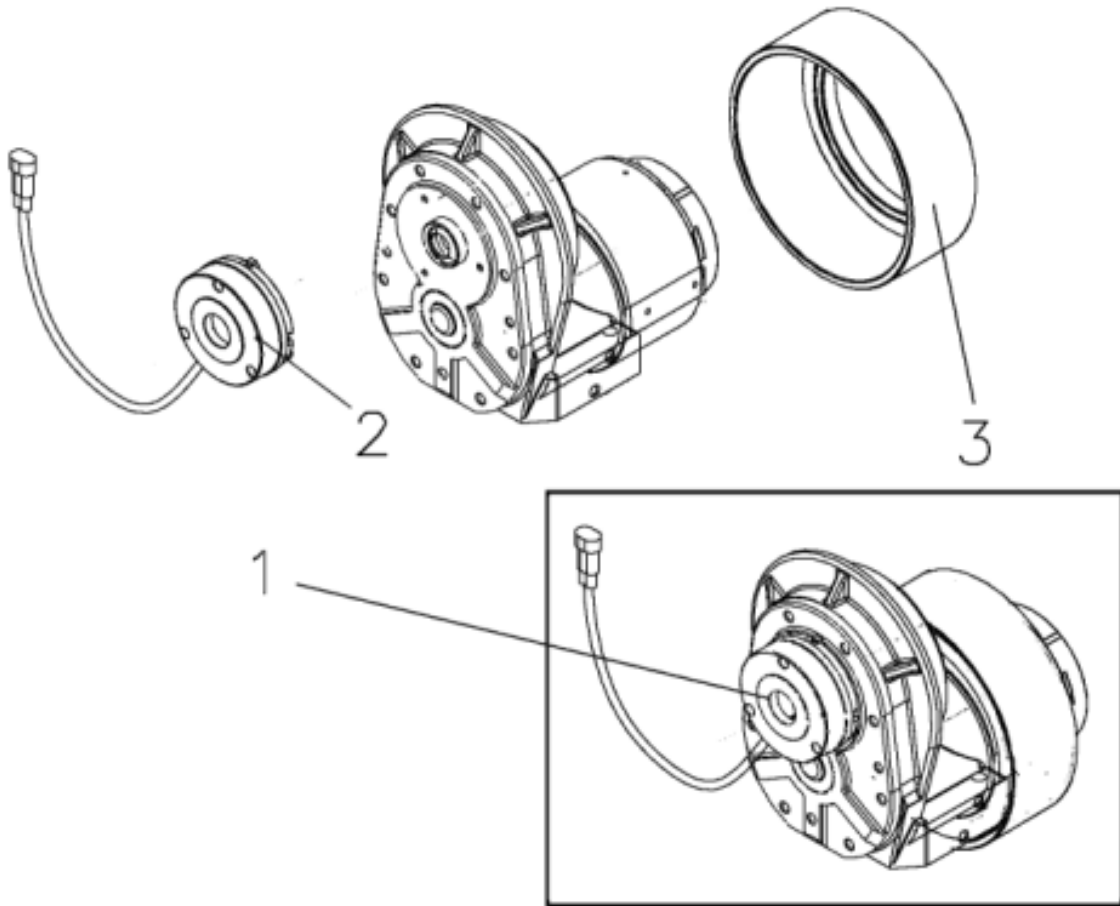
Fig.4 Handle control box assembly



## Fig.4 Handle control box assembly

Item	New Parts No.	Parts Number	Parts name	Qty
1	10040401	0000-0000065-00	Upper cover	1
2	10040402	0000-0000065-01	Lift/lower button1-1	1
3	10040403	0000-0000065-02	Lift/lower button1-2	1
4	10040404	0000-0000065-03	Spring	8
5	10040405	0000-0000065-04	Dust proof sleeve 1	1
6	10040406	0000-0000065-05	Hall switch	4
7	10040407	0000-0000065-06	left lowering switch	1
8	10040408	0000-0000065-07	Left lifting switch	1
9	10040409	0000-0000065-08	Lift/lower button2-2	1
10	10040410	0000-0000065-09	Dust proof sleeve 2	1
11	10040411	0000-0000065-10	Lift/lower button2-1	1
12	10040412	0000-0000065-11	Right lifting button	1
13	10040413	0000-0000065-12	Dust proof sleeve 1	1
14	10040414	0000-0000065-13	Lift/lower button1-1	1
15	10040415	0000-0000065-14	Lift/lower button1-2	1
16	10040416	0000-0000065-15	Right lowering button	1
17	10040417	0000-0000065-16	Dust proof sleeve 2	1
18	10040418	0000-0000065-17	Lift/lower button 2-1	1
19	10040419	0000-0000065-18	Lift/lower button 2-2	1
20	10040420	0000-0000065-19	Horn	1
21	10040421	0000-0000065-20	Circuit board	1
22	10040422	0000-0000065-21	Throttle button	2
23	10040423	0000-0000065-22	Throttle axle	1
24	10040424	0000-0000065-23	Throttle axle jacket	1
25	10040425	0000-0000065-24	Throttle spring	2
26	10040426	0000-0000065-25	Right rotary switch	1
27	10040427	0000-0000065-26	Left rotary switch	1
28	10040428	0000-0000065-28	Handle bottom cover	1
29	10040429	0000-0000065-29	Emergency reverse button	1
30	10040430	0000-0000065-30	Speed model switch	1
31	10040431	GB/T70.1-2000	Screw M3×15	2
32	10040432	GB/T93-1987	Spring washer 3×0.8	2
33	10040433	GB/T95-2002	Flat washer C 3×0.5	2
34	10040434	0000-0000065-31	Fixing bracket	1
35	10040435	GB/T818-2000	Screw M4×10	1
36	10040436	GB/T70.1-2000	Screw M6×12	2
37	10040437	0000-0000065-30	Cover of Emergency reverse	1

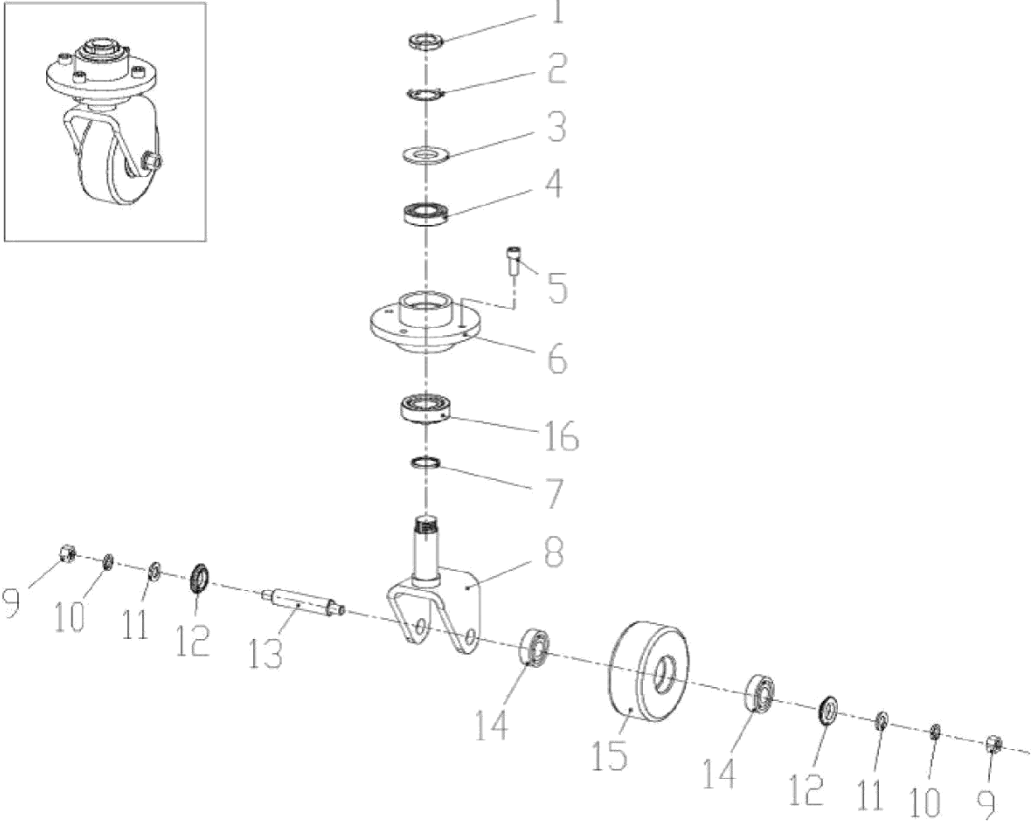
Fig.5 Driving unit assembly



## Fig.5 Driving unit assembly

Item	New Parts No.	Parts Number	Parts name	Qty
1	10010601	0000-0000066-00	Drive Unit ASSY	1
2	10010602	0000-0000066-14	Brake Assy.	1
3	10010603	0000-0000066-30	Driving Wheel $\Phi$ 210	1

Fig.6 Balance wheel assembly

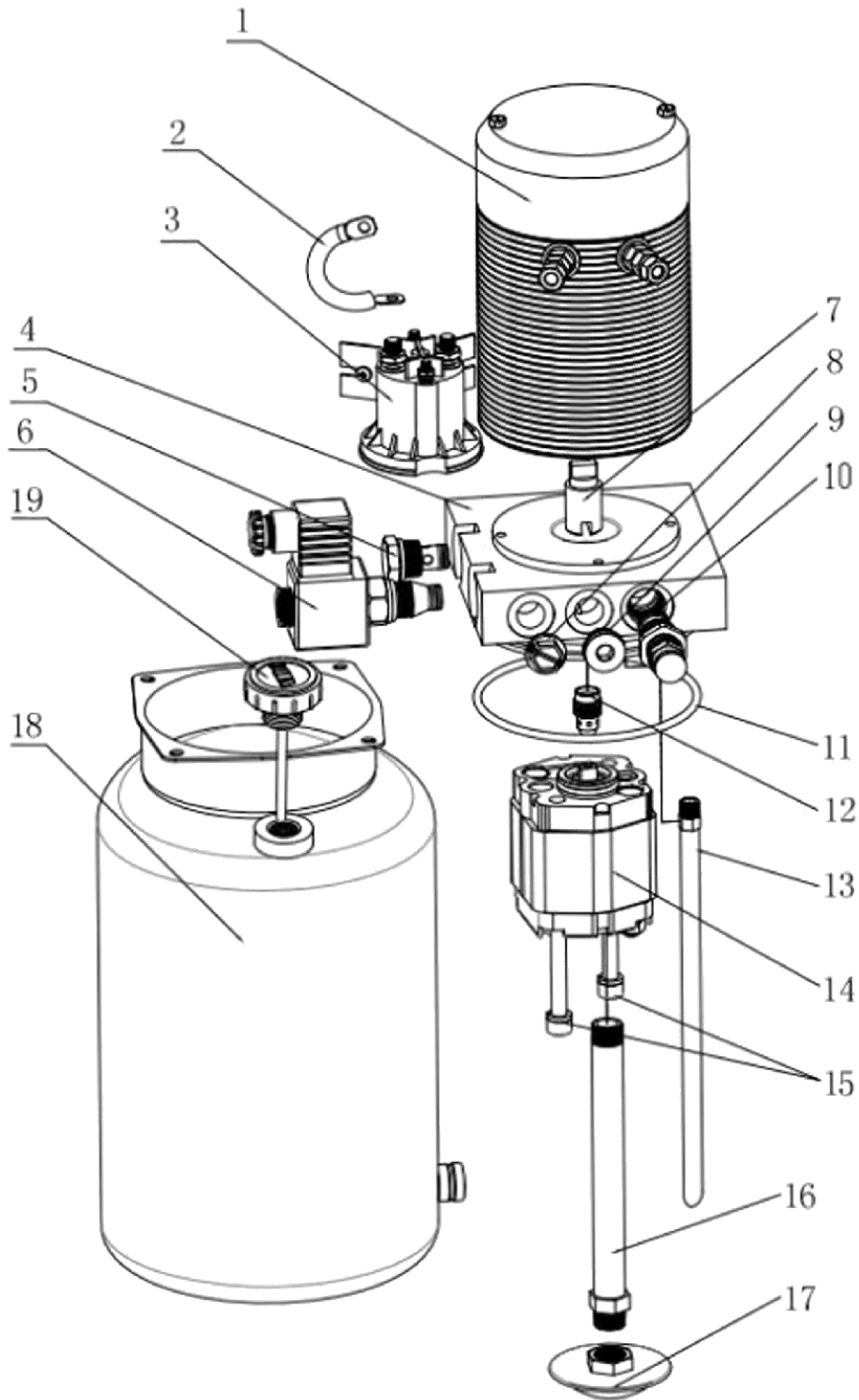




**Fig.6 Balance wheel assembly**

Item	New Parts No.	Parts Number	Parts name	Qty
1	10040501	GB/T810-1988	NutM27×1.5	1
2	10040502	GB/T858-1988	Lock washer 27	1
3	10040503	ESB1.5M.04.00-01	Cover	1
4	10040504	GB/T276-1994	Bearing 6006	1
5	10040505	GB/T70.1-2000	Screw M10×25	4
6	10040506	ESC10MD012100-300	Bearing base	1
7	10040507	ESB1.5M.04.00-04	Ring	1
8	10040508	ESB1.5M.04.00-02	Wheel fork	1
9	10040509	GB/T41-2000	NutM12	2
10	10040510	GB/T93-1987	Spring washer 12	2
11	10040511	GB97.1-85	Flat washer 12	2
12	10040512	ESB1.5M.04.00-05	Sleeve	2
13	10040513	ESB1.5M.04.00-06	Shaft	1
14	10040514	GB276-94	Bearing 6204RS	2
15	10040515		Φ124 roller	1
16	10040516	GB/T297-1994	Bearing32206	1

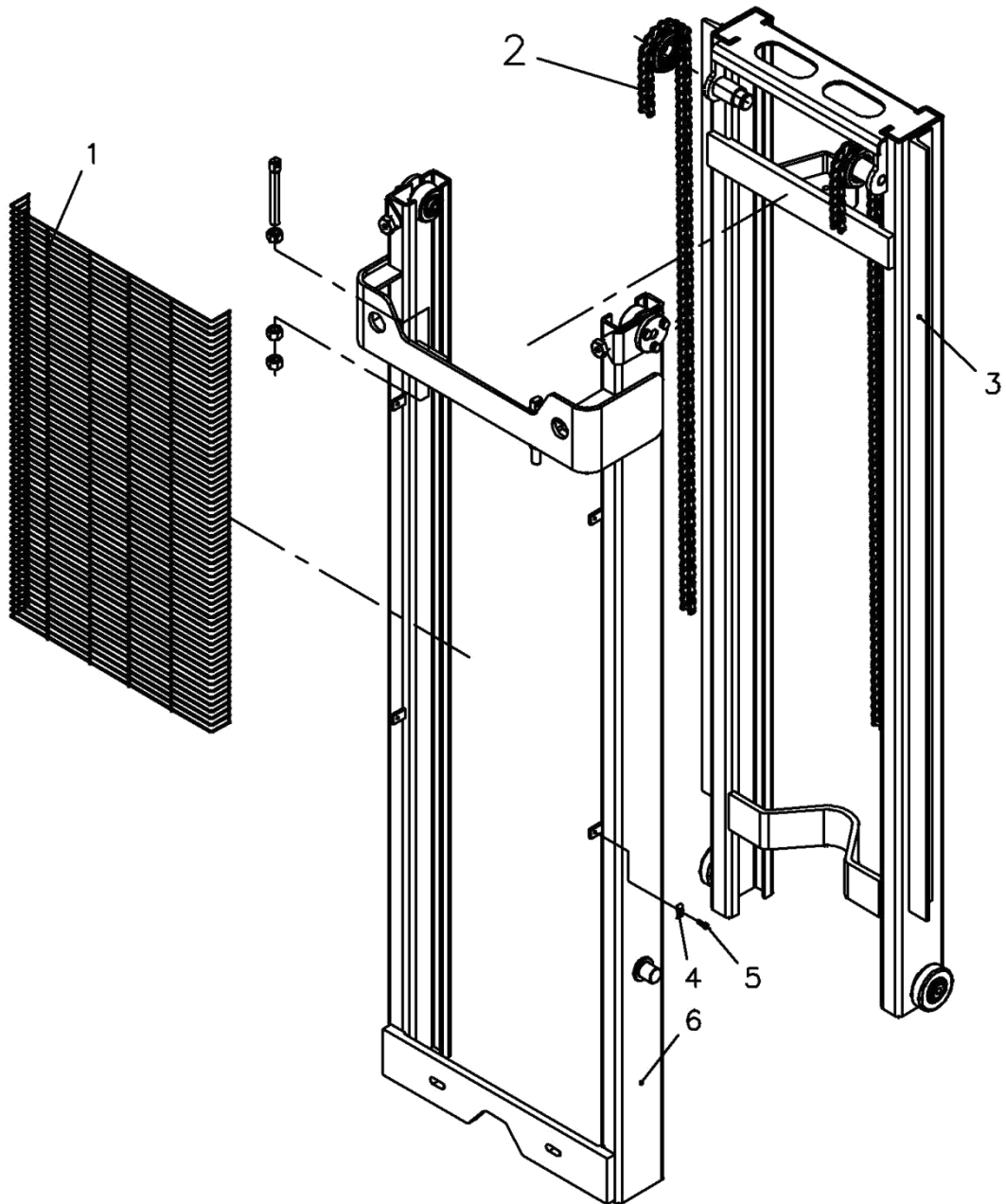
Fig.7 Pump system



## Fig.7 Pump system

Item	New Parts No.	Parts Number	Parts name	Qty
1	10040701	0000-0000100-01	Lifting Motor	1
2	10040702		0000-0000100-02 Soft connecting wire RSWC-01	1
3	10040703	0000-0000100-03	Start button DK0324A	1
4	10040704	0000-0000100-04	Block 300.002.202.08	1
5	10040705	0000-0000100-05	Check valve CV-01	1
6	10040706	0000-0000100-06	Magnetic valve SCV-024DC	1
7	10040707	0000-0000100-07	Coupling 700.002.002.01	1
8	10040708	0000-0000100-08	Plug SP-03	1
9	10040709	0000-0000100-09	Plug SP-03	1
10	10040710		0000-0000100-10 Over flow valve RV-02B	1
11	10040711	0000-0000100-11	"0" shape valve 112×4.0	1
12	10040712	0000-0000100-12	Pressure compensate valve	1
13	10040713	0000-0000100-13	Return oil pipe 800.003.002.08	1
14	10040714	0000-0000100-14	Gear pump CBK-F120	1
15	10040715	0000-0000100-15	Screw M8×80-N	2
16	10040716		0000-0000100-16 Oil suction pipe 800.001.002.02	1
17	10040717	0000-0000100-17	Filter screen FS-03B	1
18	10040718	0000-0000100-18	Tank 51113062406	1
19	10040719	0000-0000100-19	Cover FC-04	1

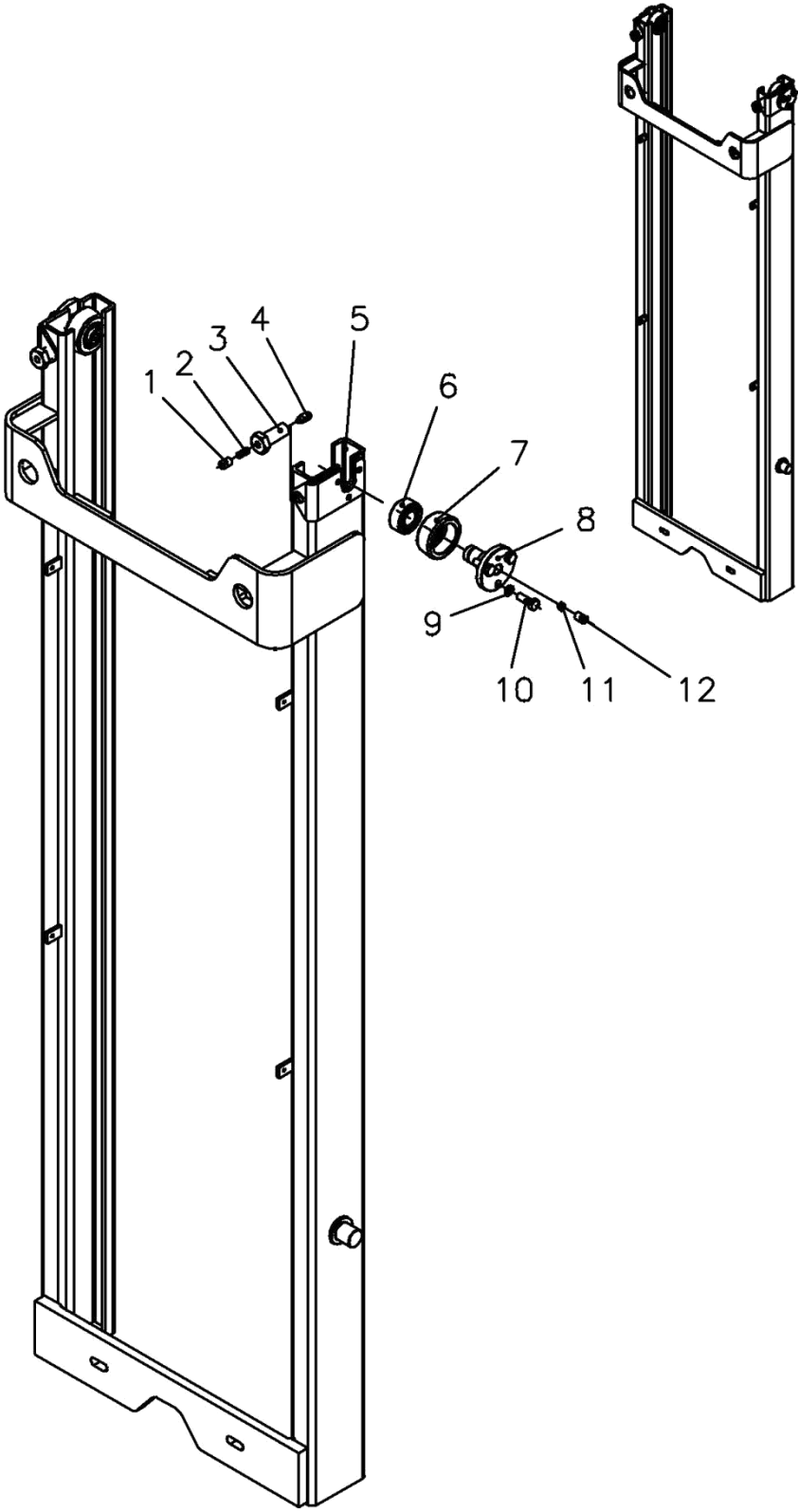
Fig .8 Mast system



## Fig.8 Mast system

Item	New Parts No.	Parts Number	Parts name	Qty
1	10040801	1M2.5DDDD10#	Screen	1
2	10040802	ESC10MD060000-307	Chain wheel system	2
3	10040803	ESC15MD042000-390	Inner system	1
4	10040804	1M1.6YYYY01-10#	Slot hole plate	4
5	10040805	GB5781-86	Bolt M6×16	4
6	10040806	ESC15MD041000-390	Outer mast	1

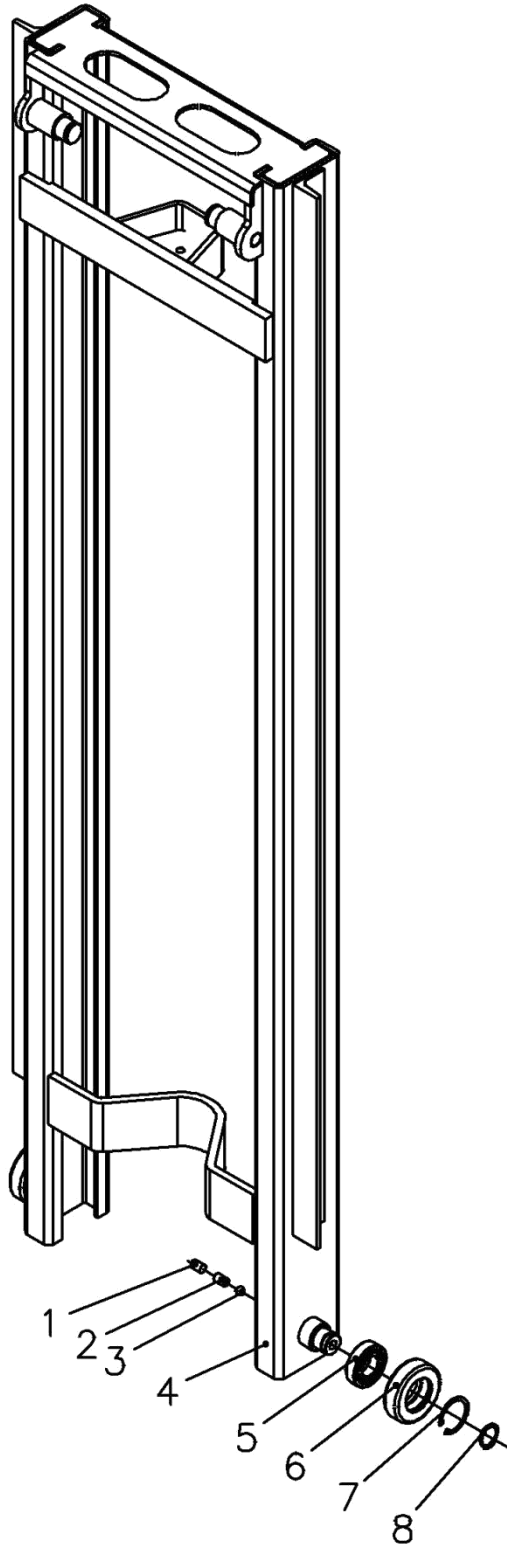
Fig.9 Outer mast assembly



## Fig.9 Outer mast assembly

Item	New Parts No.	Parts Number	Parts name	Qty
1	10040901	GB77-86	Screw M12X20	2
2	10040902	1M2.5YYYYY01-10#	Spring	2
3	10040903	1M2.5YYYYY01-08#	Connecting bolt	2
4	10040904	1M2.5YYYYY01-11#	Locating bar	2
5	10040905	ESC15MD041000-390	Out mast	1
6	10040906	GB296-1994	Bearing 3205	2
7	10040907	1M2.5DDDD01-11#	Shell $\phi$ 72X30	2
8	10040908	1M2.5DDDD01-09#	Bearing house	2
9	10040909	GB93-87	Spring washer 10	6
10	10040910	GB5781-86	Screw M10X30	6
11	10040911	GB308-89	Steel ball 12.0000 G100 b 2	
12	10040912	GB77-85	Screw M12X20	2

Fig.10 Inner mast

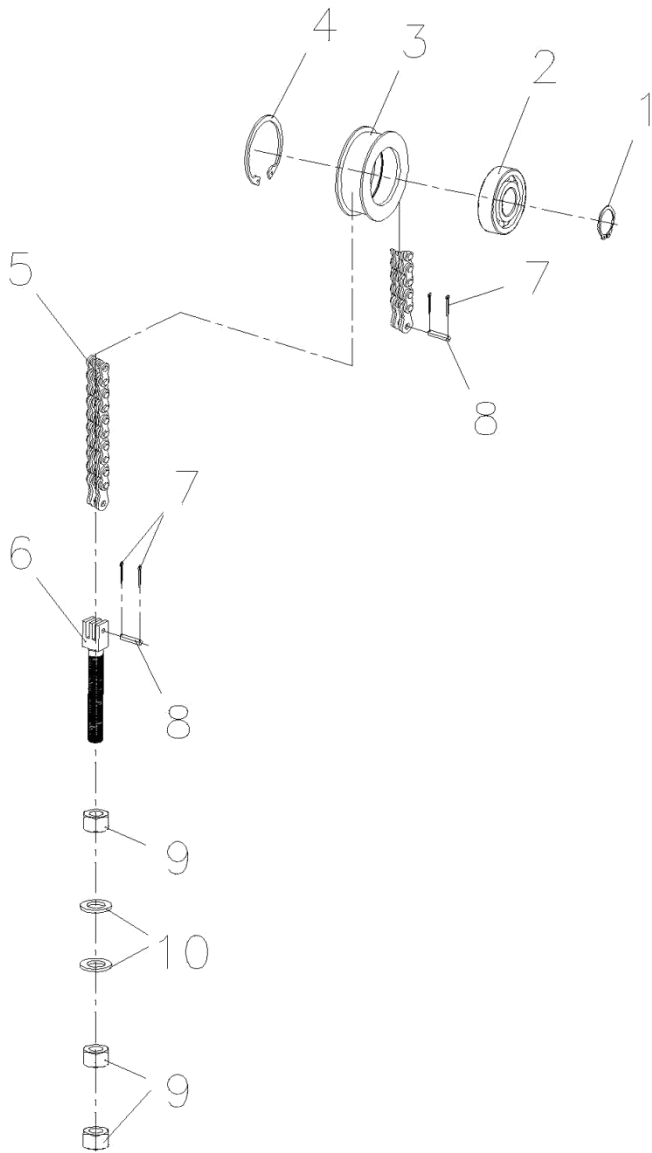




## Fig.10 Inner mast

Item	New Parts No.	Parts Number	Parts name	Qty
1	10041001	1M2.5YYYYY04-09#	Plug	2
2	10041002	GB77-85	Screw M12X20	2
3	10041003	GB308-89	Steel ball12.0000 G100 b	2
4	10041004	ESC15MD042000-390	Inner mast	1
5	10041005	GB276-94	Bearing 6206	2
6	10041006	1.5M1.6YYYYY03-02#	Shell $\varphi$ 107.2X32	2
7	10041007	GB893.1-86	Circlip 62	2
8	10041008	GB894.1-86	Circlip 30	2

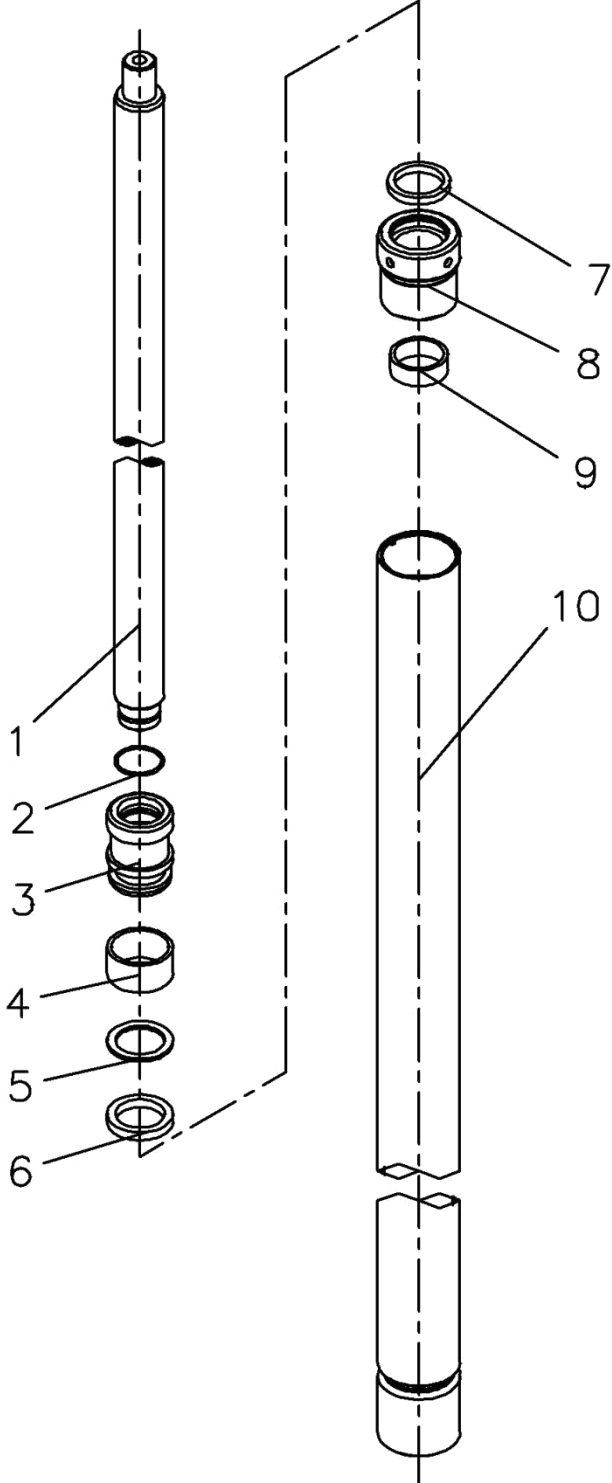
Fig.11 Chain wheel system



**Fig.11 Chain wheel system**

Item	New Parts No.	Parts Number	Parts name	Qty
1	10041101	GB894.1-86	Circlip 25	1
2	10041102	GB276-94	Bearing 6205	1
3	10041103	1M2.5YYYY04-02#	Roller $\phi 84/\phi 52 \times 33$	1
4	10041104	GB893.1-86	Circlip 52	1
5	10041105	GB6074-85	Chain LH0844	1
6	10041106	1M2.5YYYY08 #	Chain connector	1
7	10041107	GB91-86	Pin $\phi 1.2 \times 16$	2
8	10041108	GB880-86	Pin $\phi 5 \times 30$	1
9	10041109	GB6170-86	Nut M16	3
10	10041110	GB95-85	Flat washer 16	2

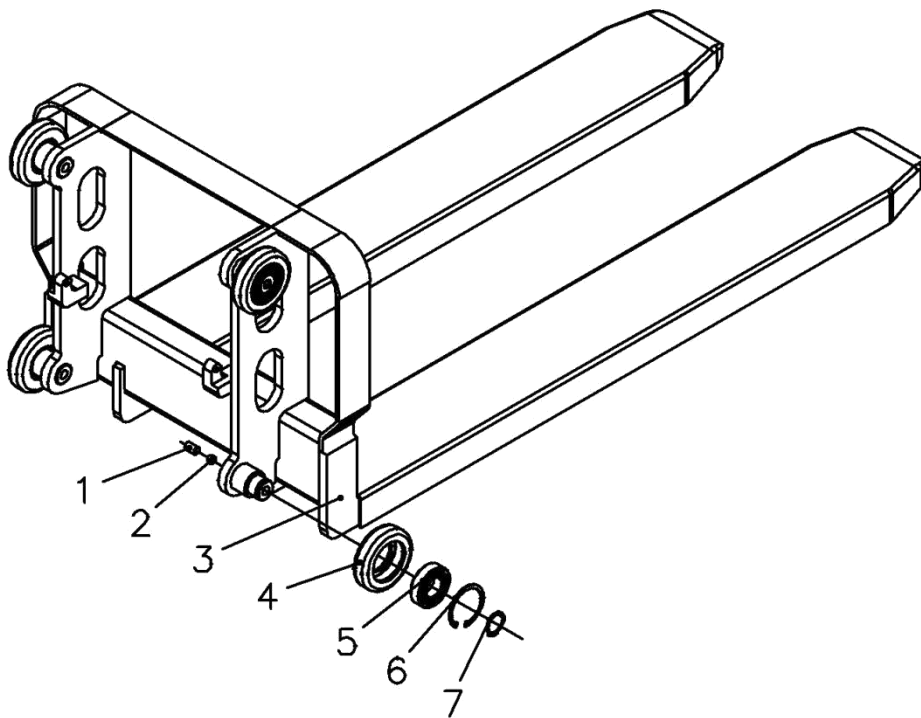
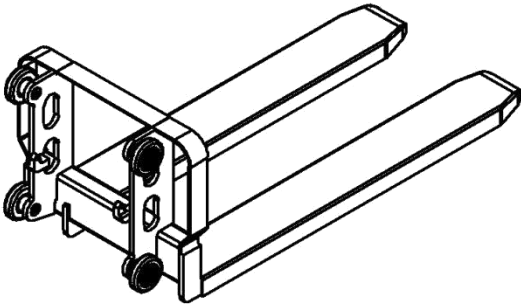
Fig.12 Cylinder assembly



**Fig.12 Cylinder assembly**

Item	New Parts No.	Parts Number	Parts name	Qty
1	10041201	0000-0000103-01	Piston Rod	1
2	10041202	0000-0000088-02	Circlips 30	1
3	10041203	0000-0000088-03	Piston	1
4	10041204	0000-0000088-04	Supporting tach	1
5	10041205	0000-0000088-05	Ring	1
6	10041206	0000-0000088-06	Seal washer 50	1
7	10041207	0000-0000088-07	Dust ring 40	1
8	10041208	0000-0000088-08	Guide sleeve	1
9	10041209	0000-0000088-09	Supporting tach	1
10	10041210	0000-0000103-02	Cylinder body	1

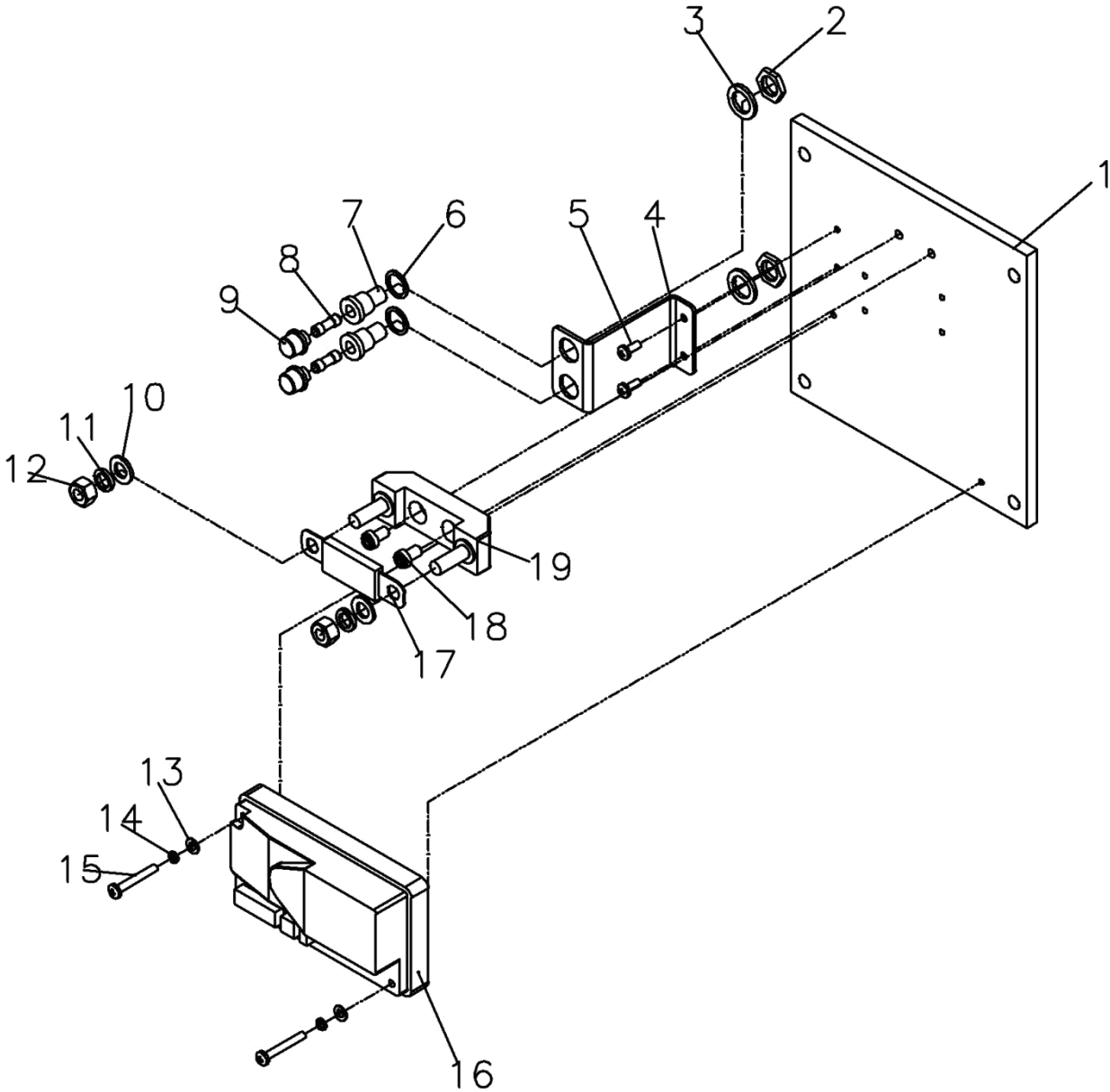
Fig.13 Fork assembly



## Fig.13 Fork Assembly

Item	New Parts No.	Parts Number	Parts name	Qty
1	10041301	GB77-85	Screw M12×20	4
2	10041302	GB308-89	Steel ball13.5000G100b	4
3	10041303	ESC15MD031000-390	Carrier	1
4	10041304	1.5M2.5DDDD20-02#	Shell φ94.5×26	4
5	10041305	GB276-94	Bearing 6206	4
6	10041306	GB893.1-86	Circlip 62	4
7	10041307	GB894.1-86	Circlip 30	4

**Fig.14 Electrical control system**





**Fig.14 Electrical control system**

Item	New Parts No.	Parts Number	Parts name	Qty
1	10041401	0000-0000068-01	Baseboard	1
2	10041402	GB/T41-2000	Nut M12X1.0	1
3	10041403	GB/T95-2000	Flat washer 12	1
4	10041404	0000-0000068-02	Fuse bracket	1
5	10041405	GB/T818-2000	Screw M4X10	1
6	10041406	0000-0000068-03	Insulating plate	1
7	10041407	0000-0000068-04	Fuse base	1
8	10041408	0000-0000068-05	Fuse	1
9	10041409	0000-0000068-06	Fuse cover	1
10	10041410	GB/T95-2000	Flat washer 8	1
11	10041411	GB/T93-1987	Spring washer 8	1
12	10041412	GB/T41-2000	NutM8	1
13	10041413	GB/T95-2000	Flat washer 4	1
14	10041414	GB/T93-1987	Spring washer 4	1
15	10041415	GB/T818-2000	Screw M4X30	2
16	10041416	0000-0000068-07	Controller	1
17	10041417	0000-0000068-08	Power fuse	1
18	10041418	GB/T70.2-2000	Screw	1
19	10041419	0000-0000068-09	Fuse seat	1