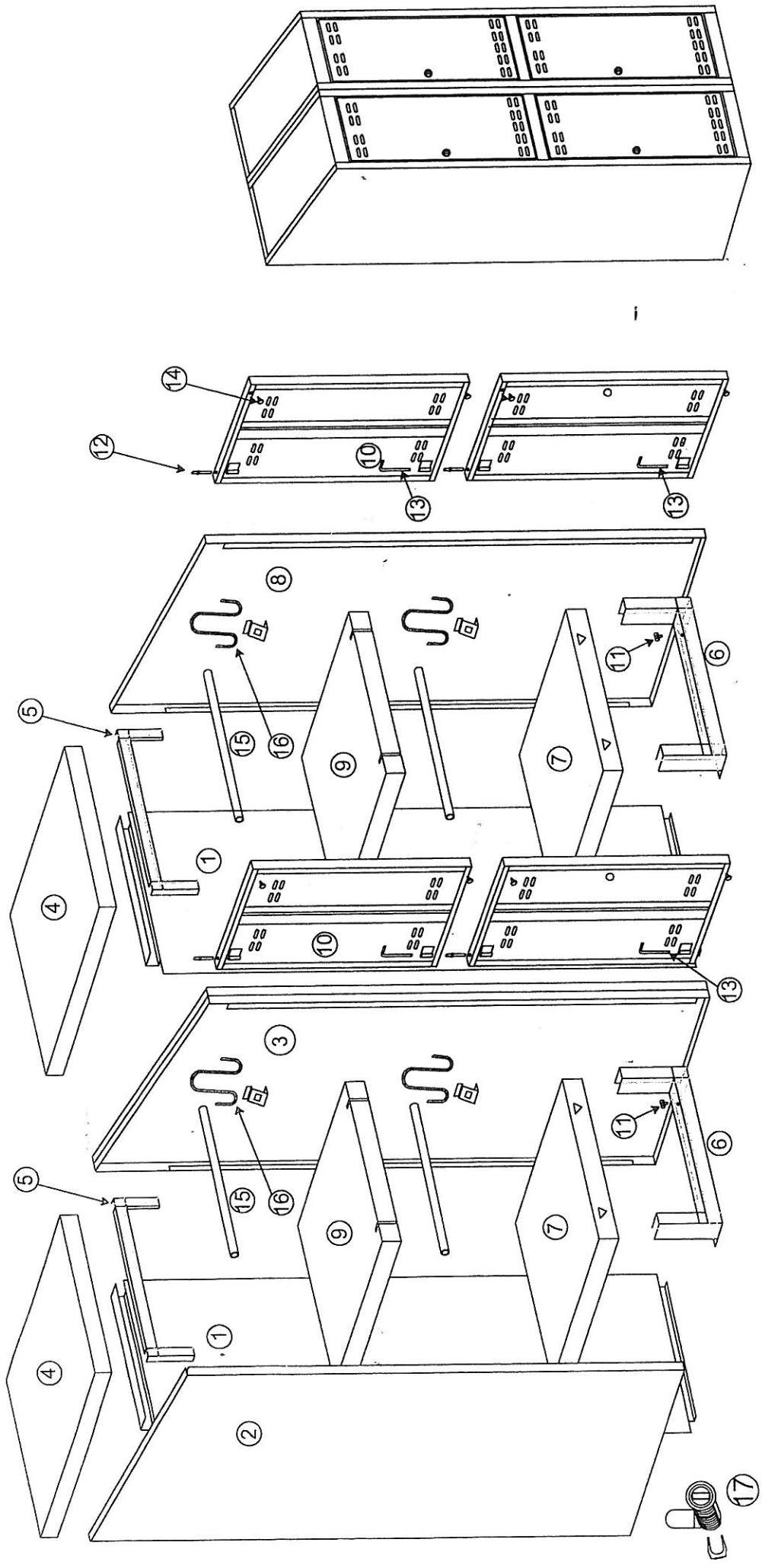
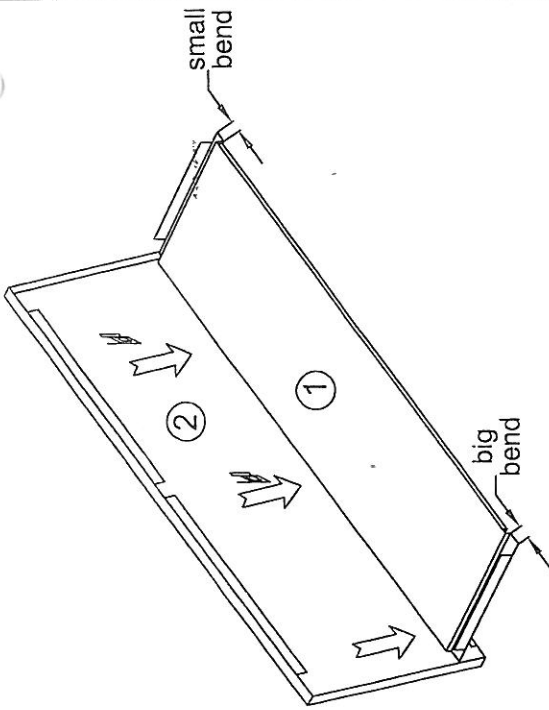


71443

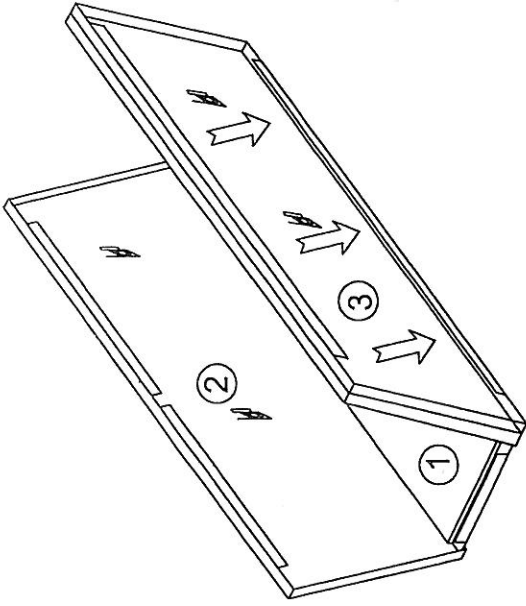
PARIS LIST & Assembly instructions TWINSL 2 / 4 / 5



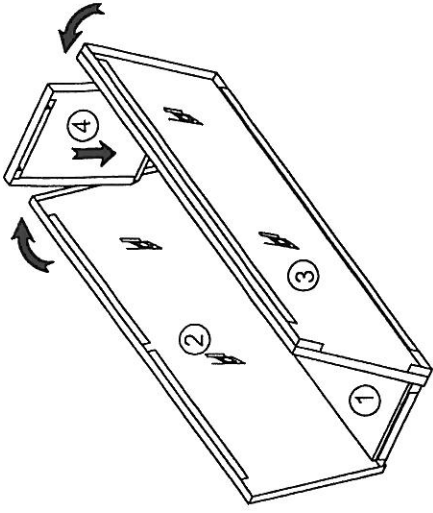
S No.	Components	Qty.		
1)	Back	02	Bottom kick plate	02
2)	Left hand side	01	Bottom	02
3)	Partition	01	Right hand side	01
4)	Top	02	Shelf	02/06/08
5)	Top 'U' frame	02	Door	04/08/10
			Bottom door hinge bush	04/08/10
			Top door hinge pin	04/08/10
			Bottom door hinge pin	04/08/10
			Door Bangers	08/16/20
			Hanging rod	04/00/00
			Coat Hook	04/00/00
			Lock	04/08/10



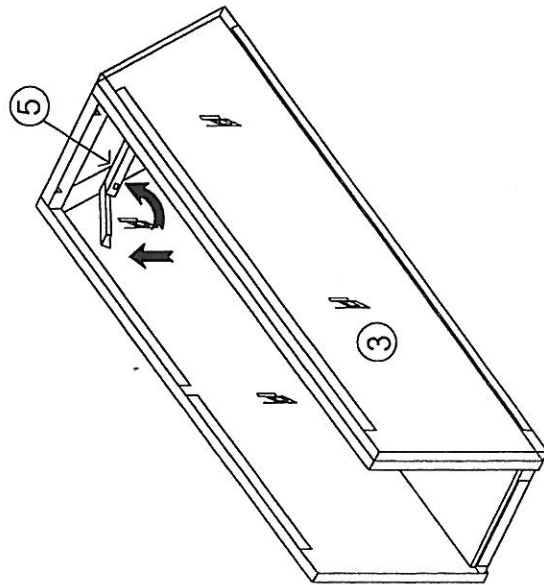
STEP 1



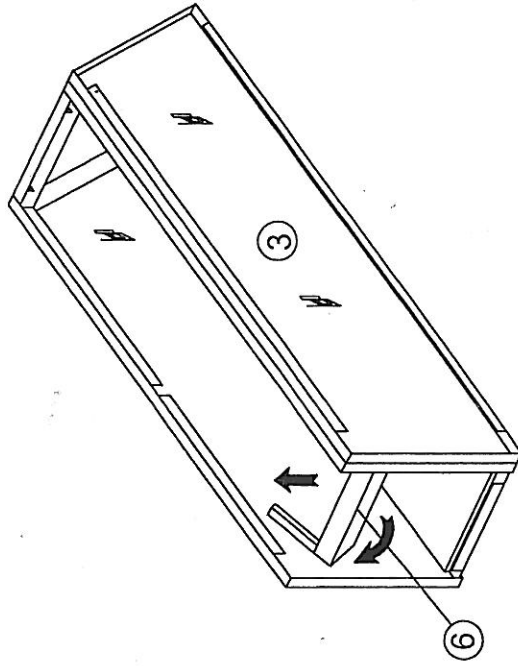
STEP 2



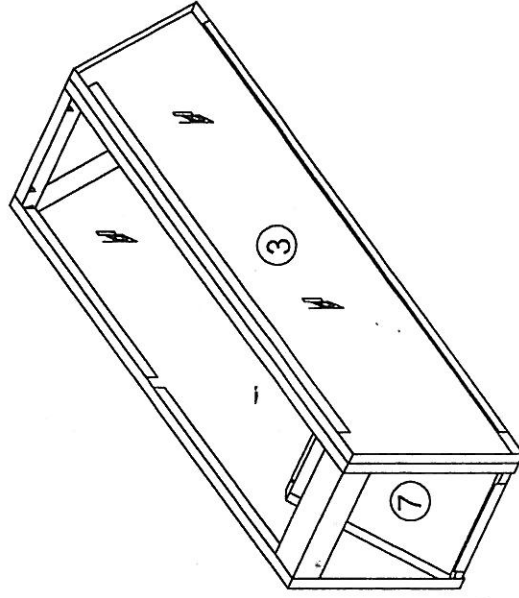
STEP 3



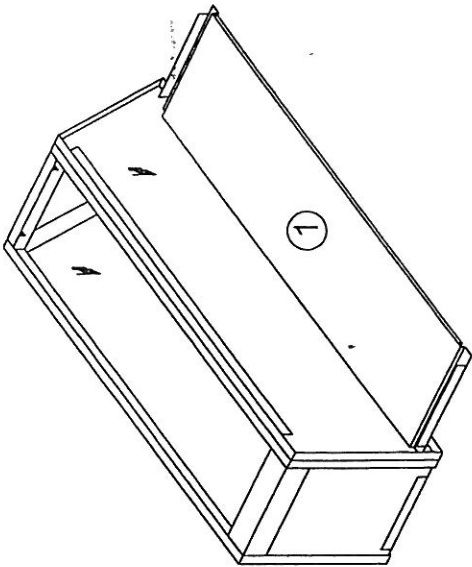
STEP 4



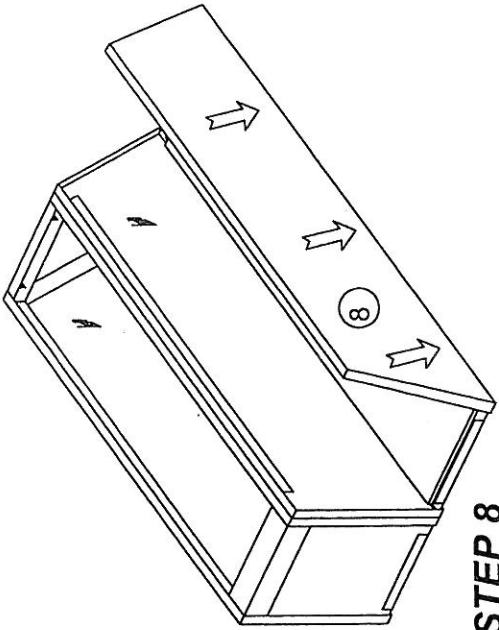
STEP 5



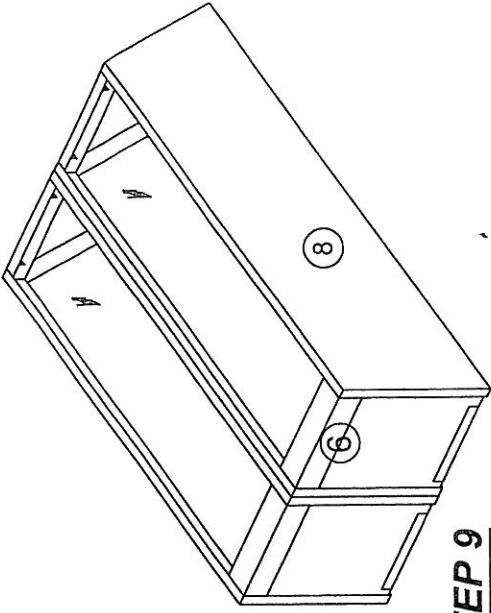
STEP 6



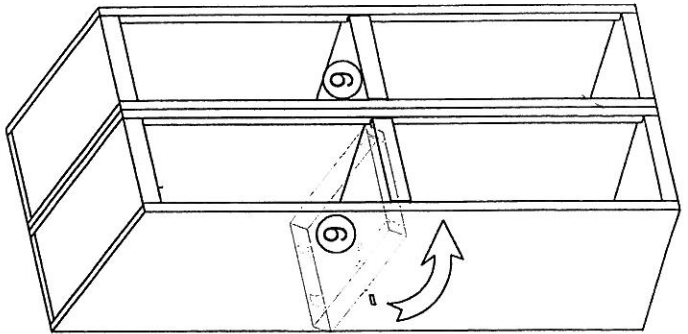
STEP 7



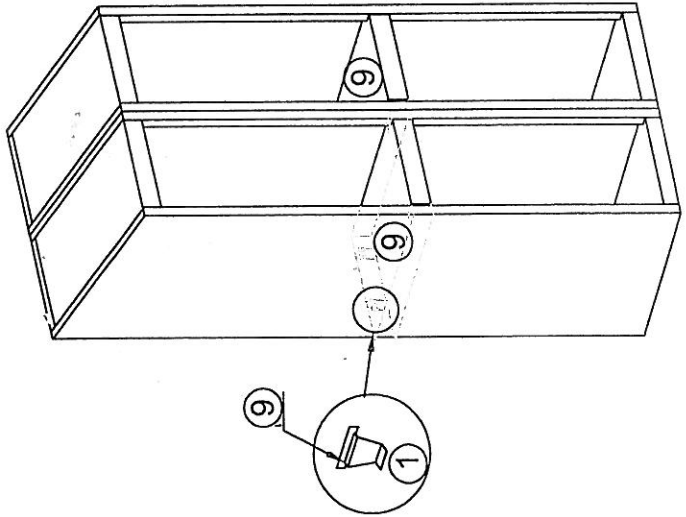
STEP 8



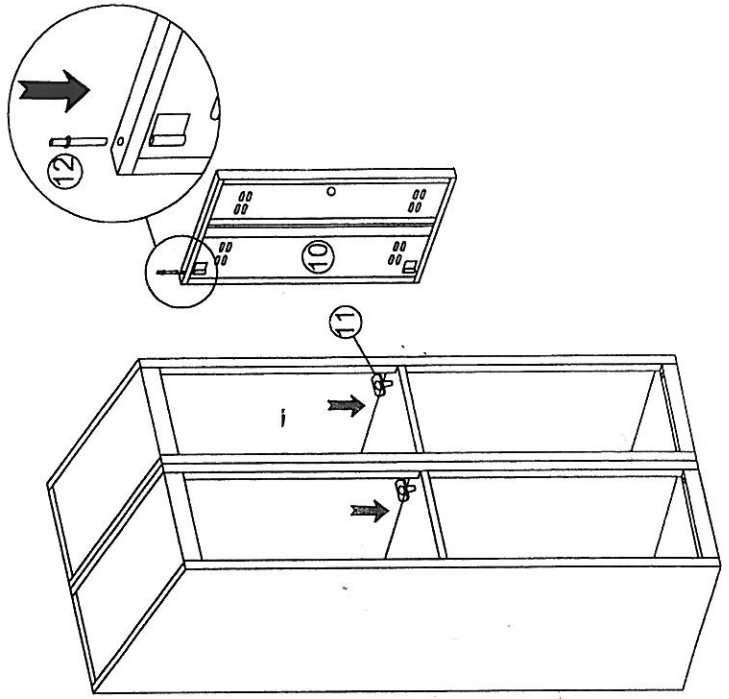
STEP 9



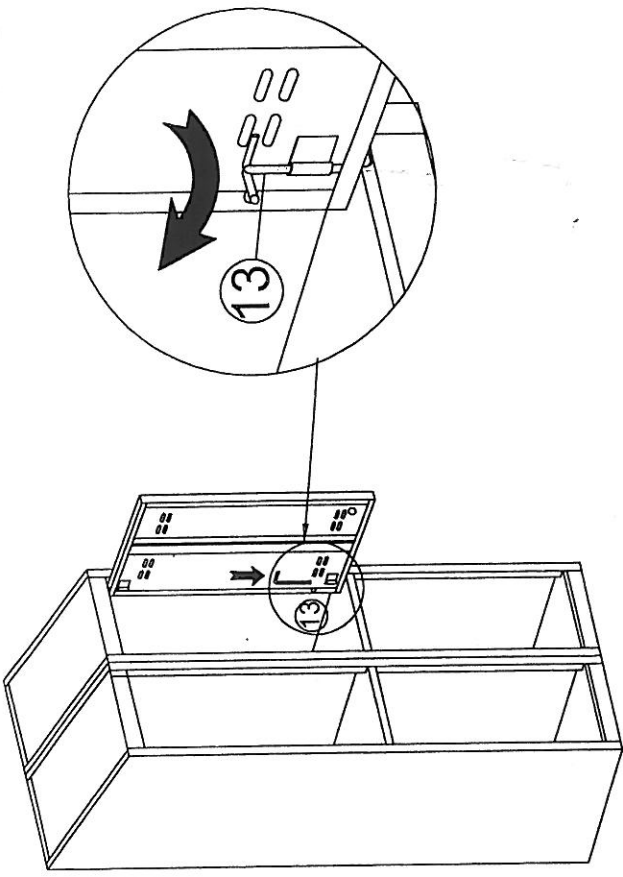
STEP 10



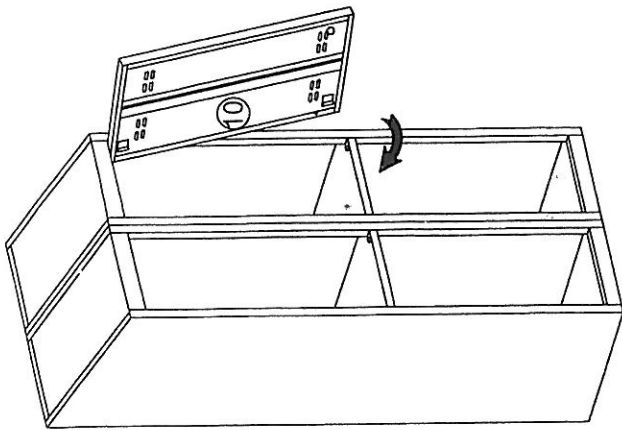
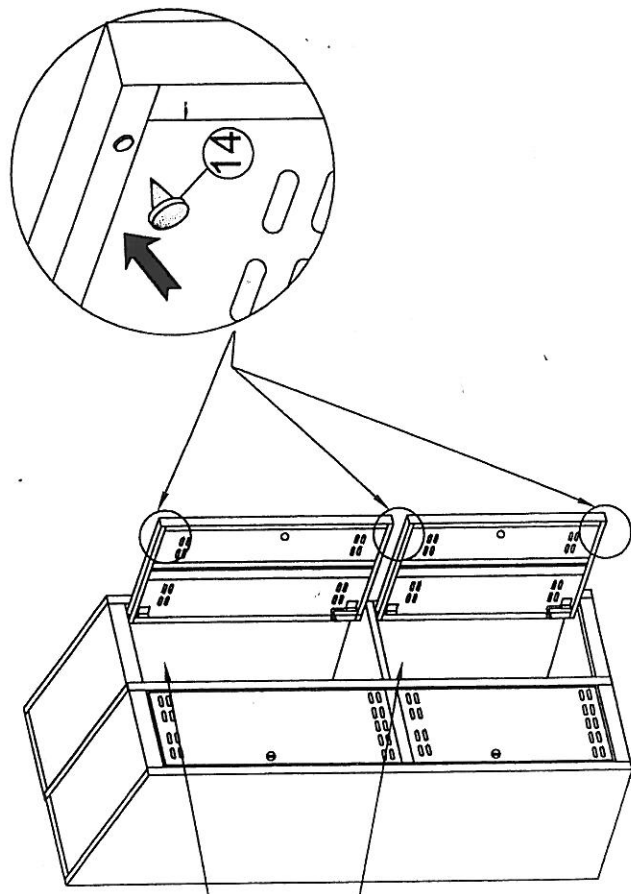
STEP 11



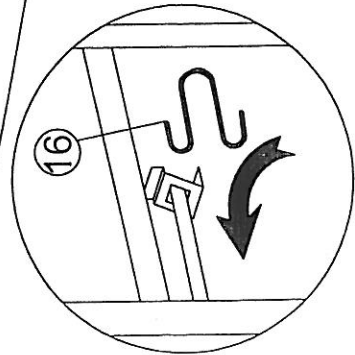
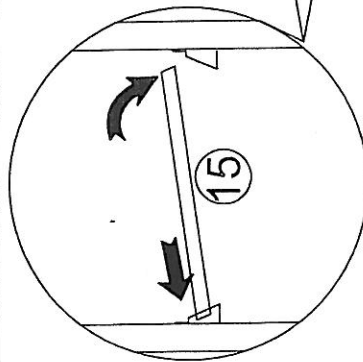
STEP 12



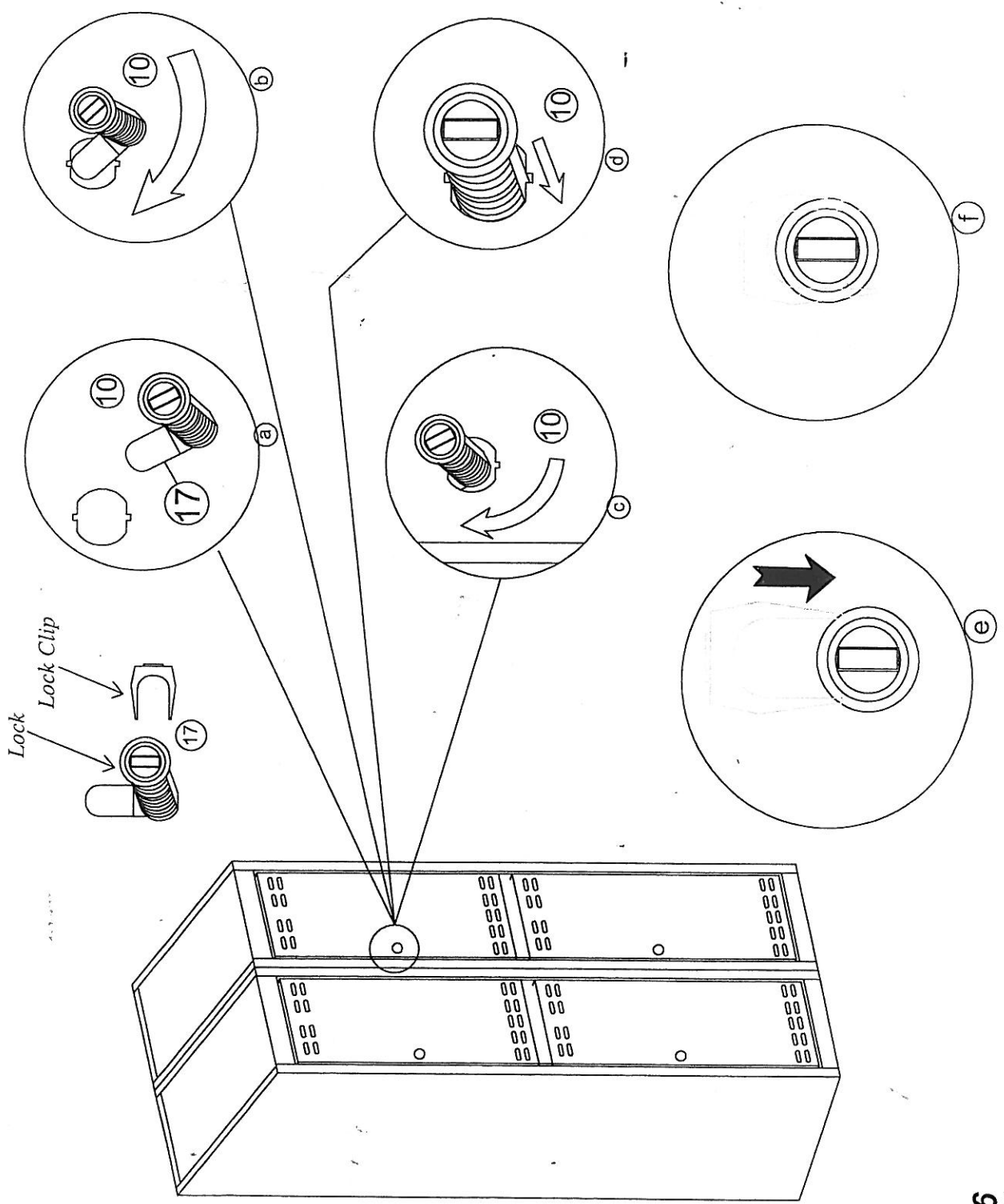
STEP 14



STEP 13



STEP 15



STEP 16