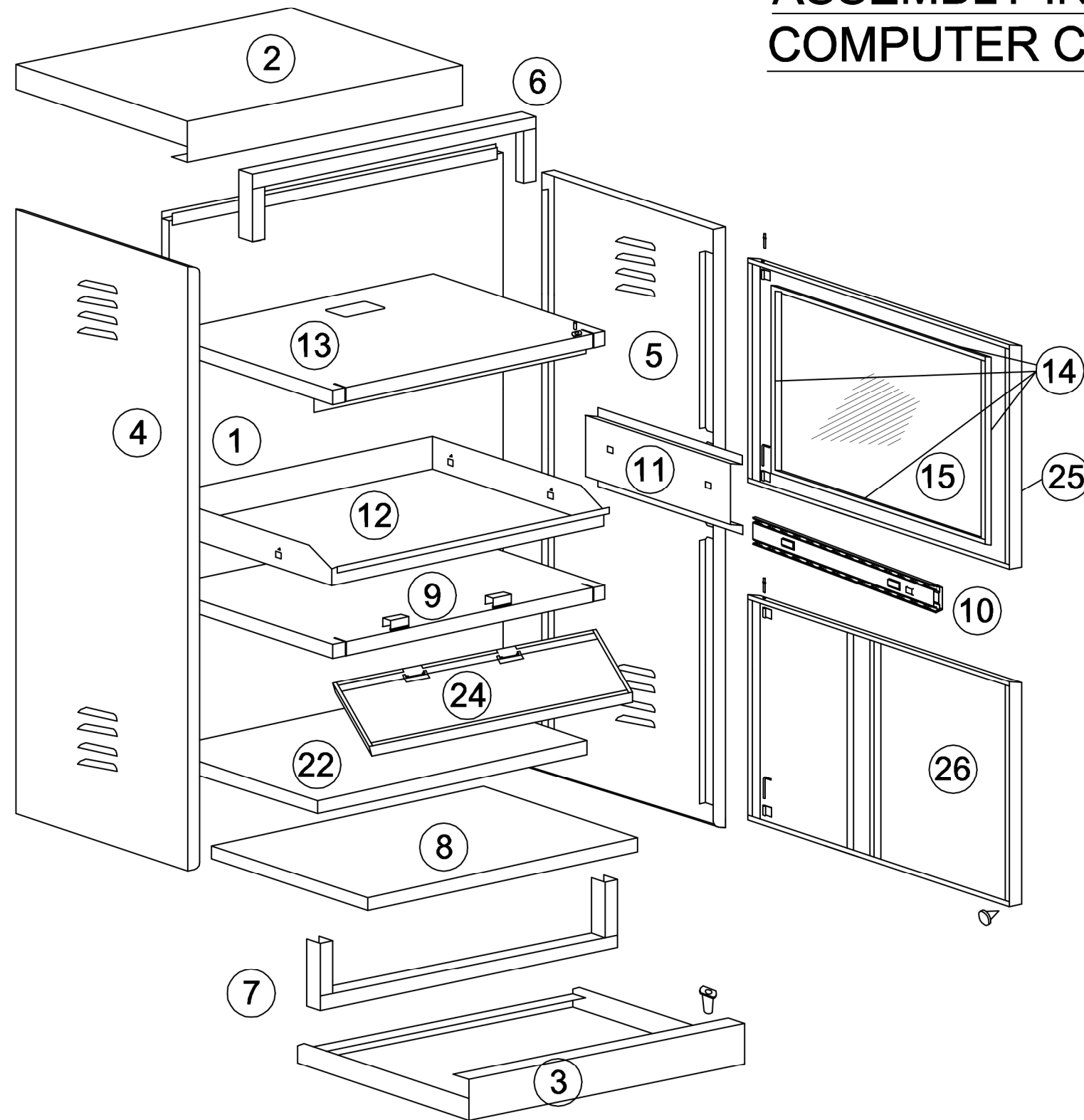
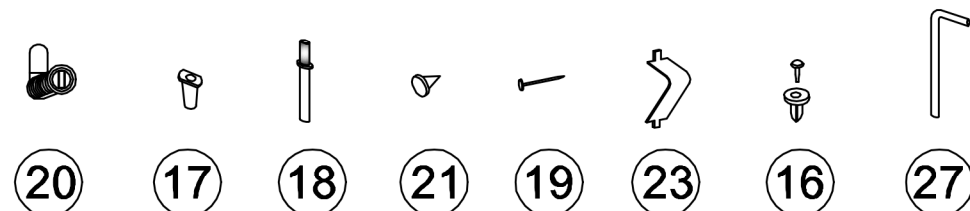


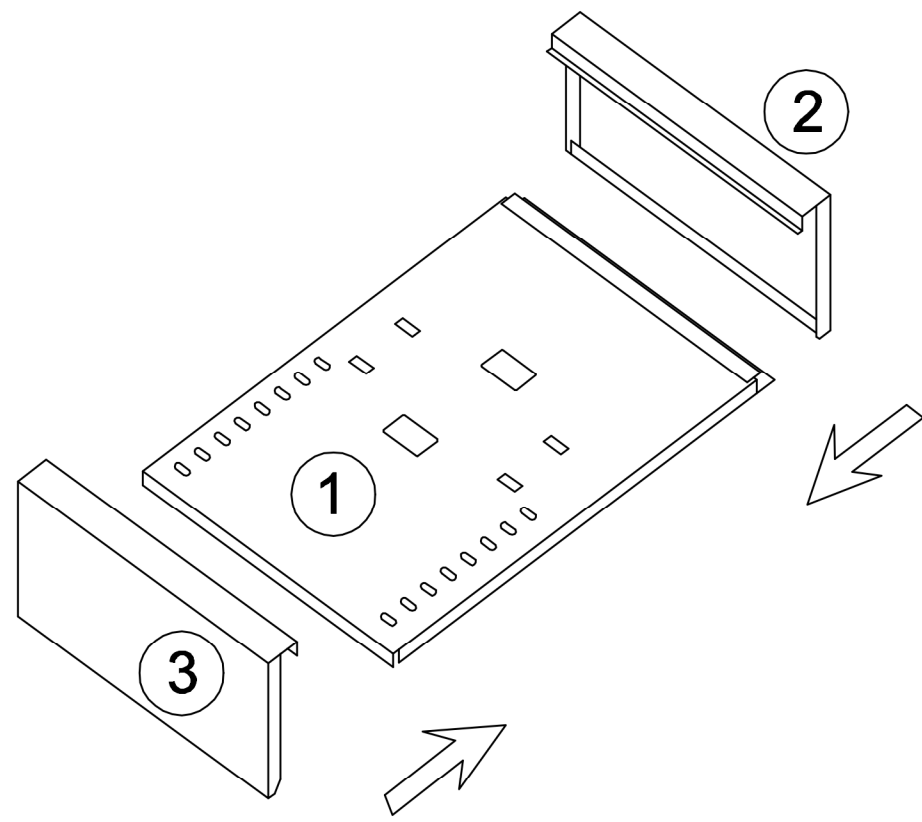
ASSEMBLY INSTRUCTION AND PARTS LIST

COMPUTER CABINET

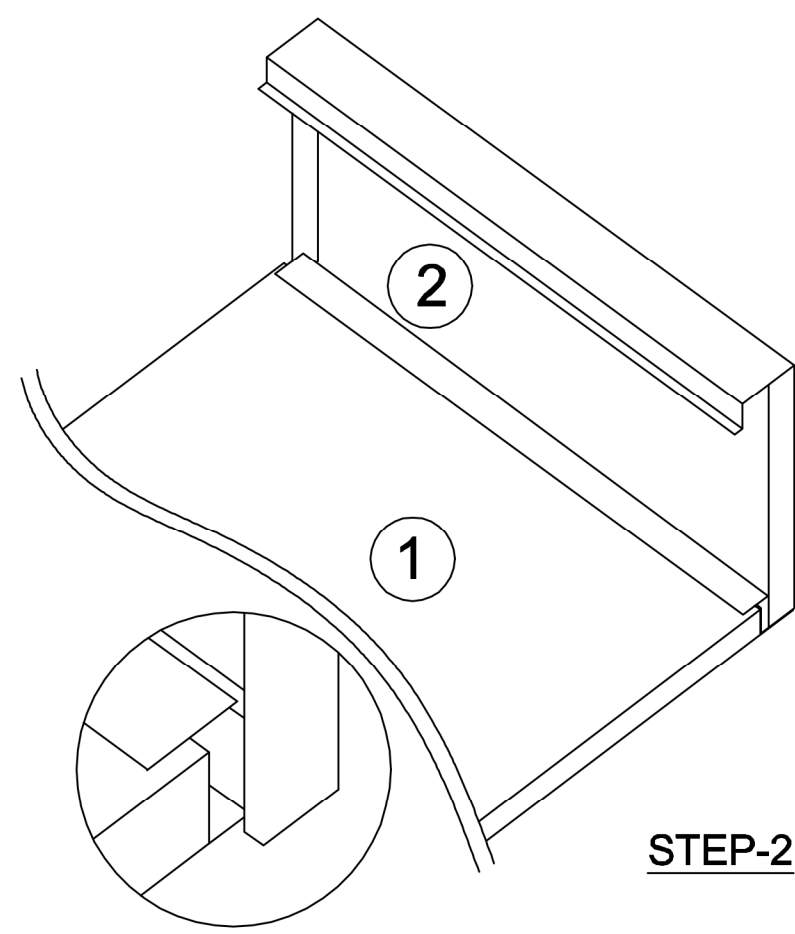


S.No	COMPONENET	QUANTITY
1.	BACK	01
2.	TOP	01
3.	BOTTOM	01
4.	LEFT HAND SIDE	01
5.	RIGHT HAND SIDE	01
6.	TOP "U" FRAME	01
7.	BOTTOM "U" FRAME	01
8.	BOTTOM SHELF	01
9.	BOTTOM FIXED SHELF	01
10.	SLIDE	01 PAIR
11.	SLIDE BRACKET	02 (LH & RH)
12.	KEY BOARD DRAWER	01
13.	TOP FIXED SHELF	01
14.	TOP DOOR BRACKETS	05
15.	PLASTIC GLASS	01
16.	PLASTIC RIVETS	11 SETS
17.	PLASTIC HINGE BUSH	02
18.	TOP HINGE PIN	02
19.	HINGE PIN	02
20.	CAM LOCKS	03
21.	DOOR BANGERS	06
22.	ADJUSTABLE SHELF	01
23.	SHELF SUPPORT BRACKET	04
24.	CENTER DOOR	01
25.	TOP DOOR	01
26.	BOTTOM DOOR	01
27.	BOTTOM HINGE	02

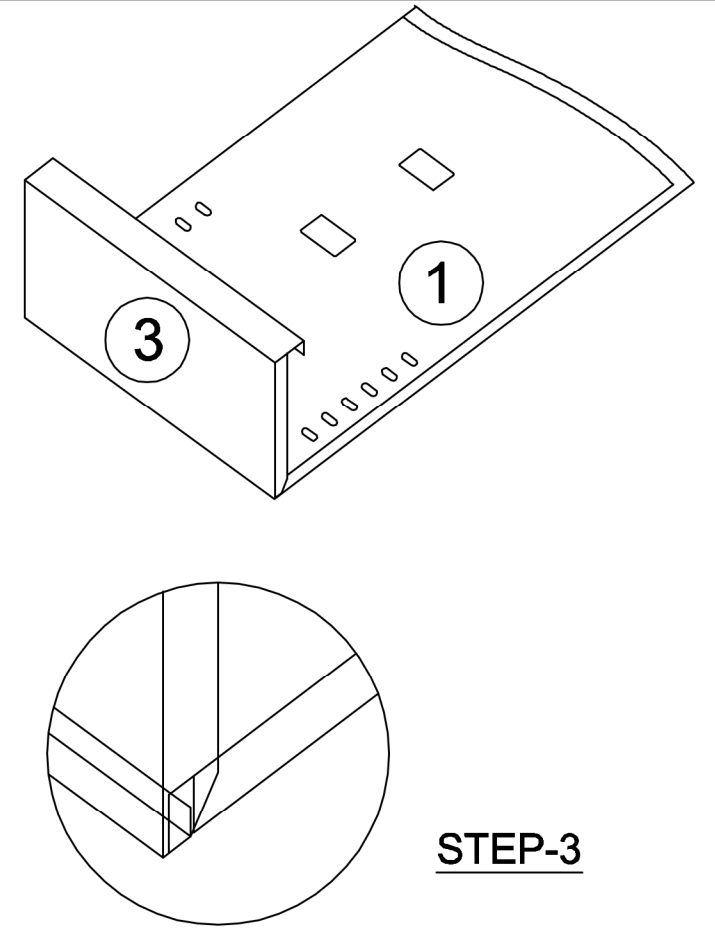




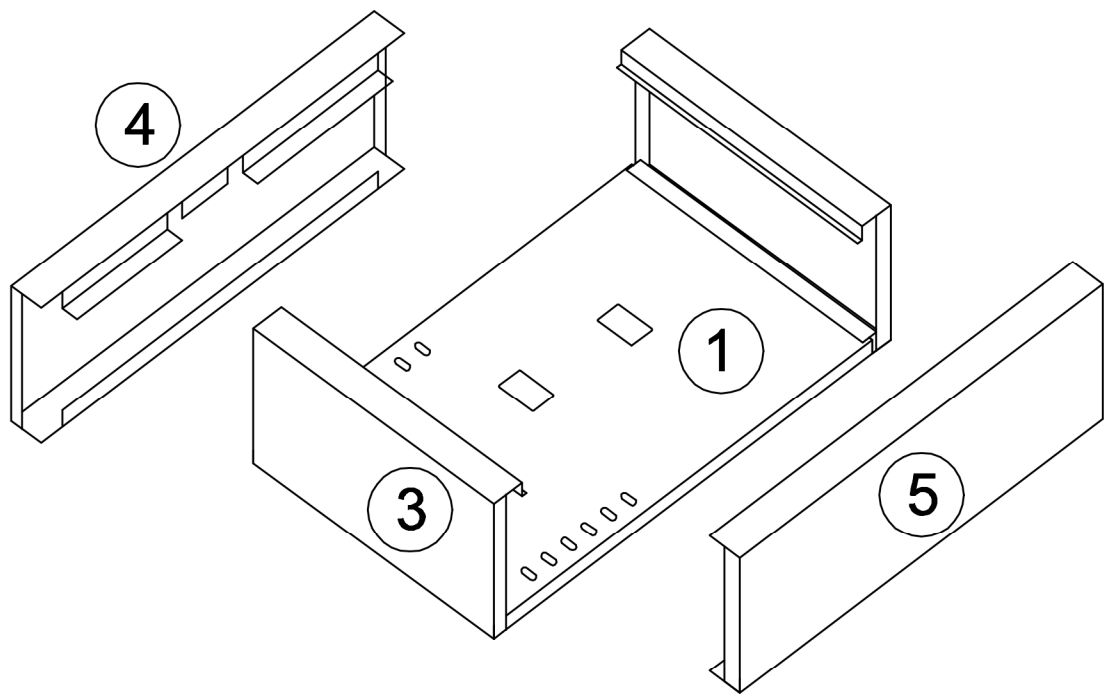
STEP-1



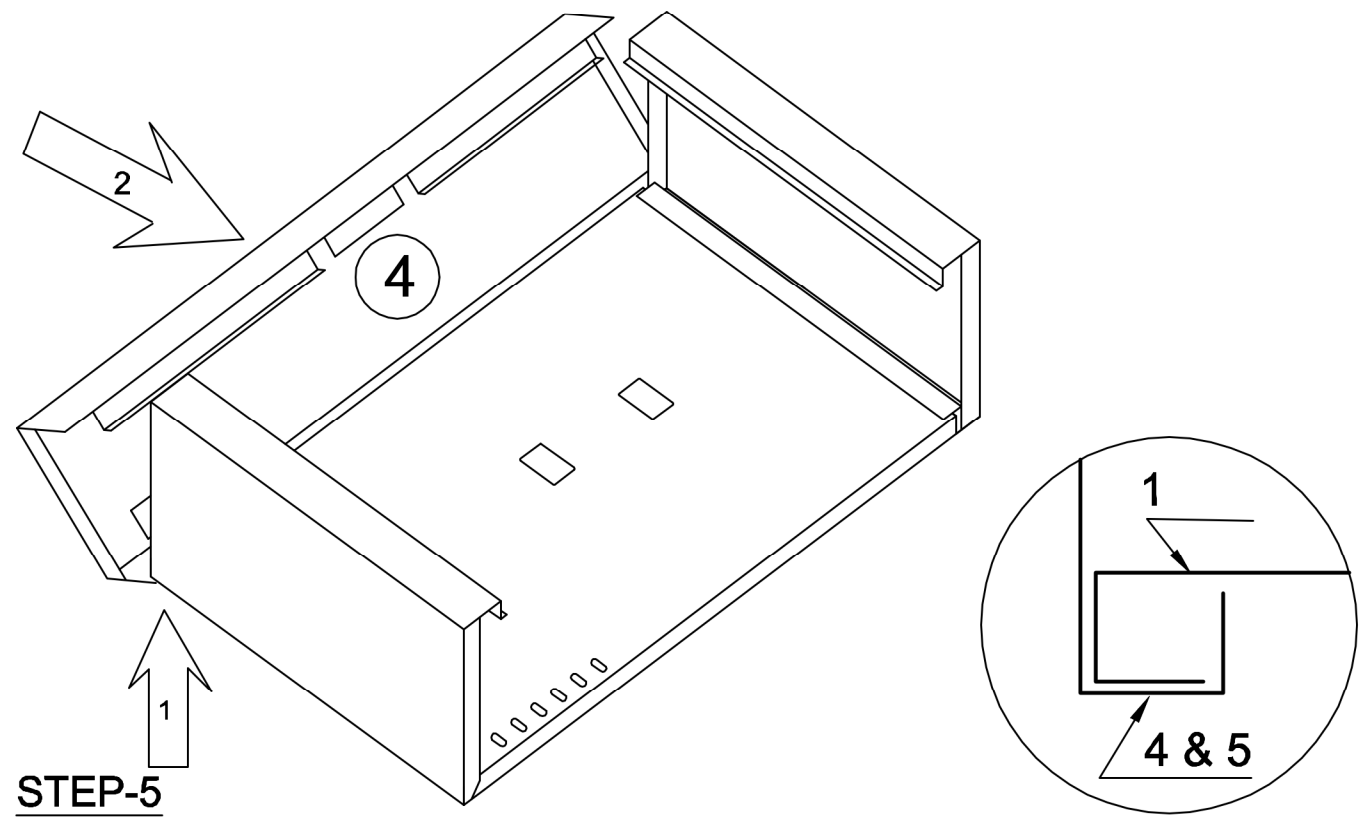
STEP-2



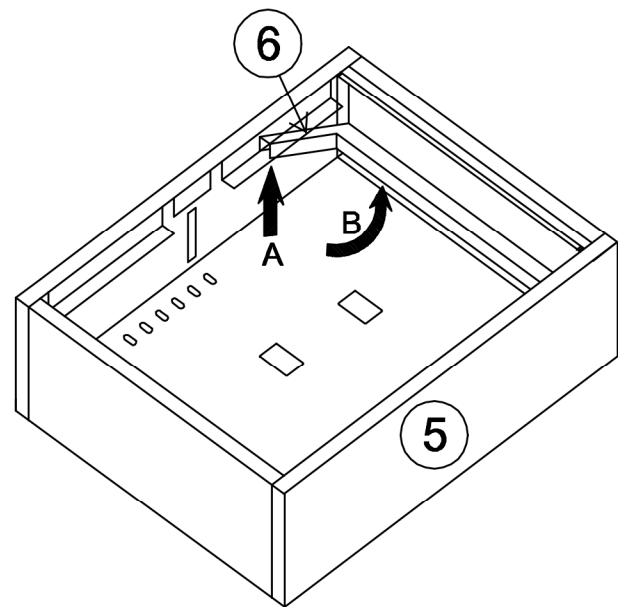
STEP-3



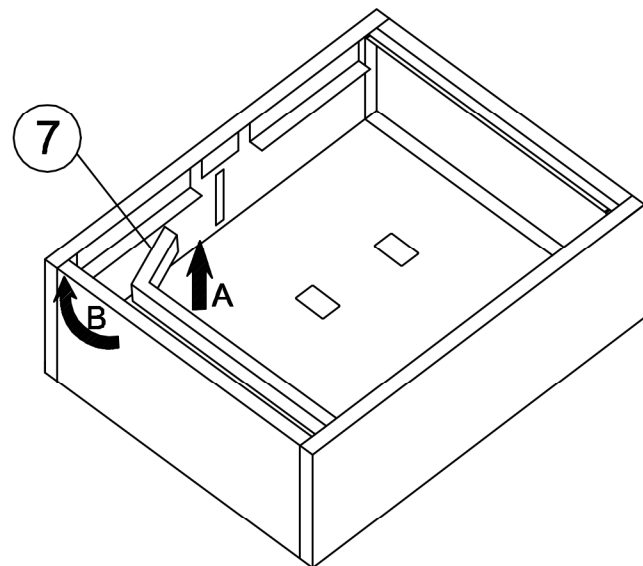
STEP-4



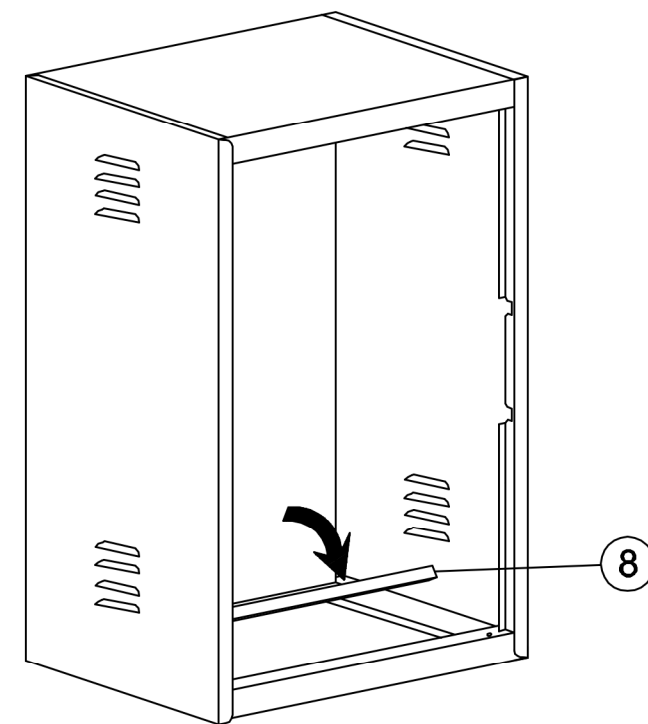
STEP-5



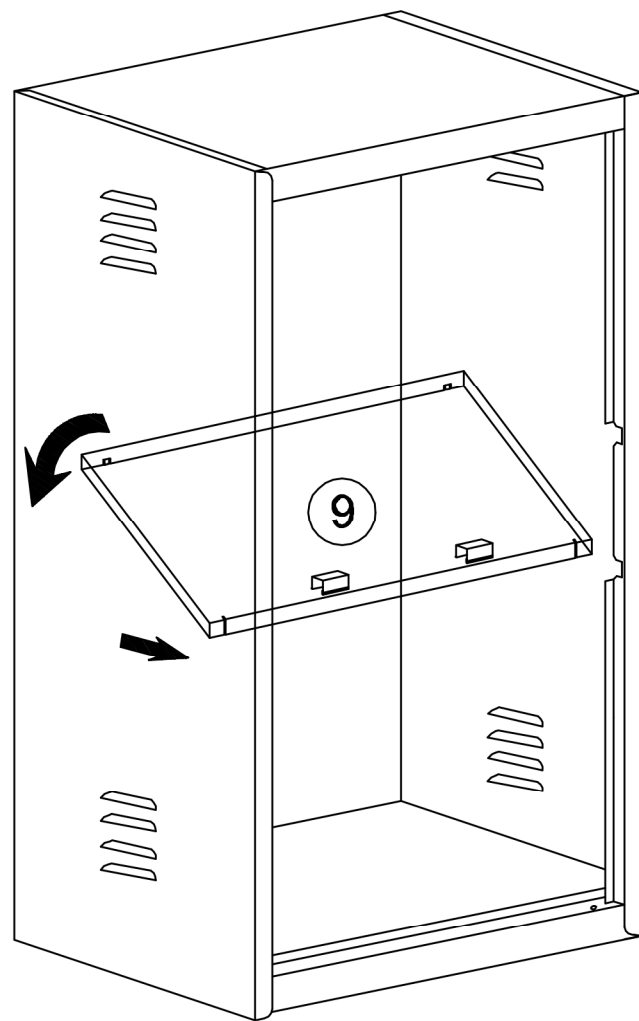
STEP-6



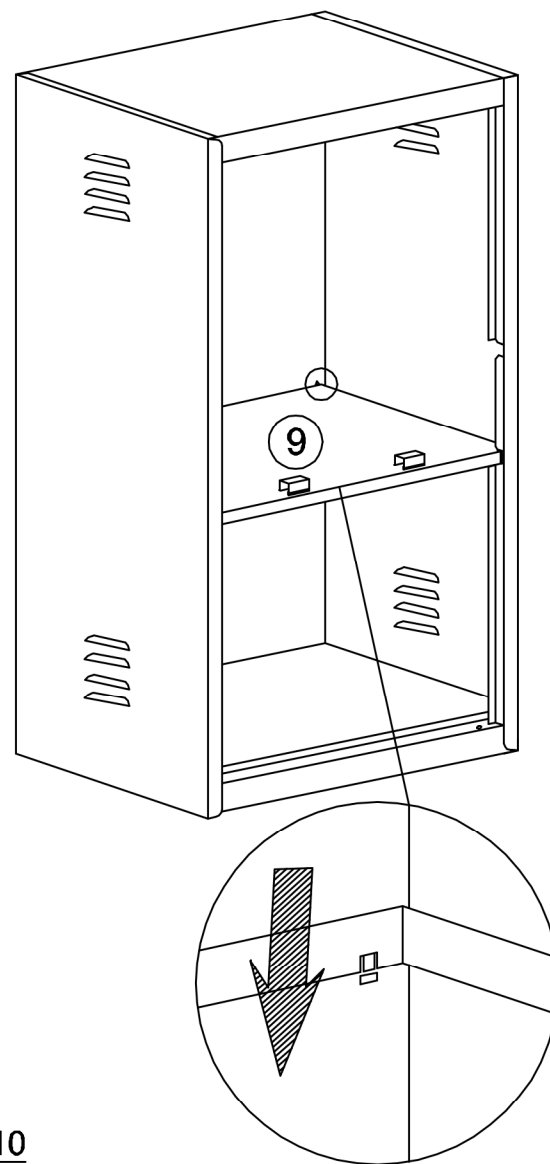
STEP-7



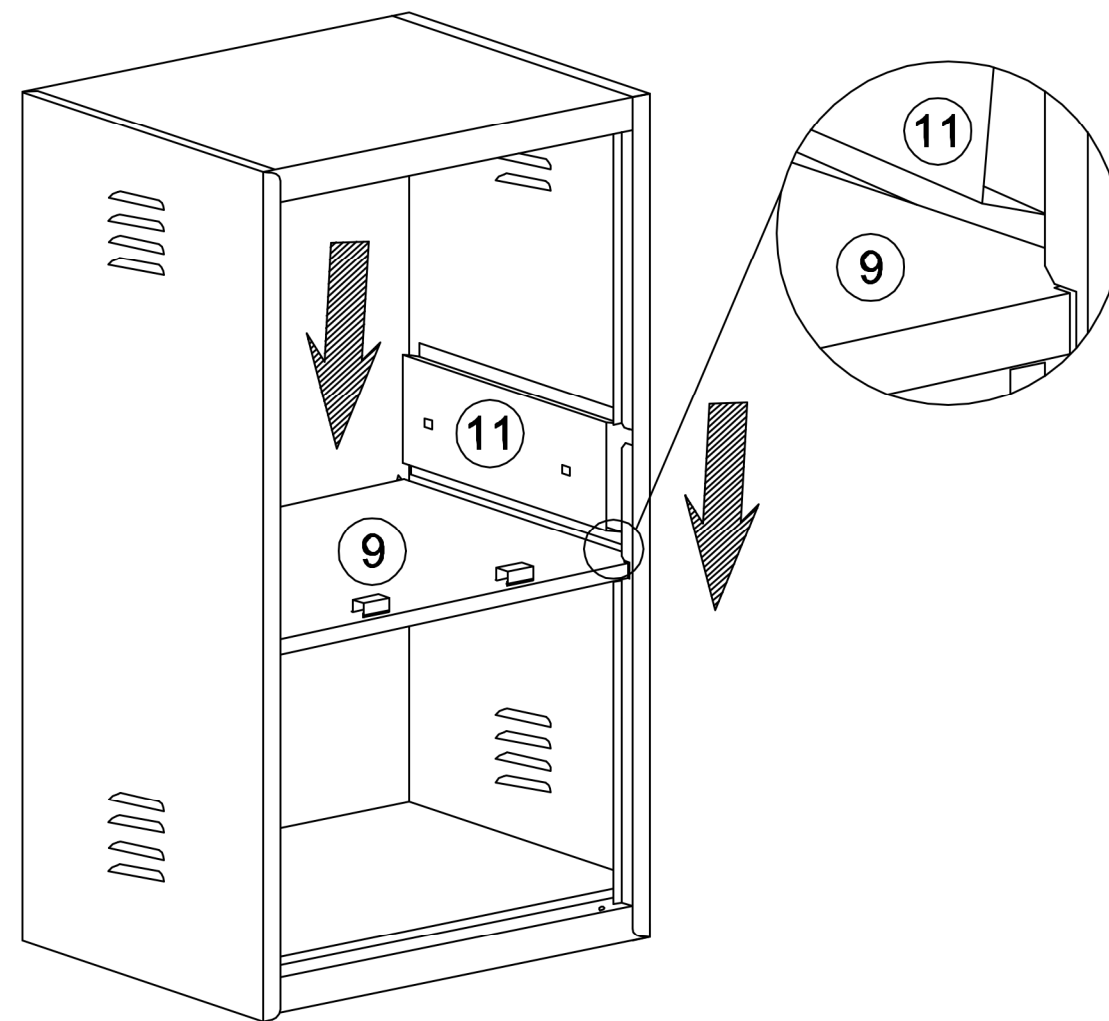
STEP-8



STEP-9

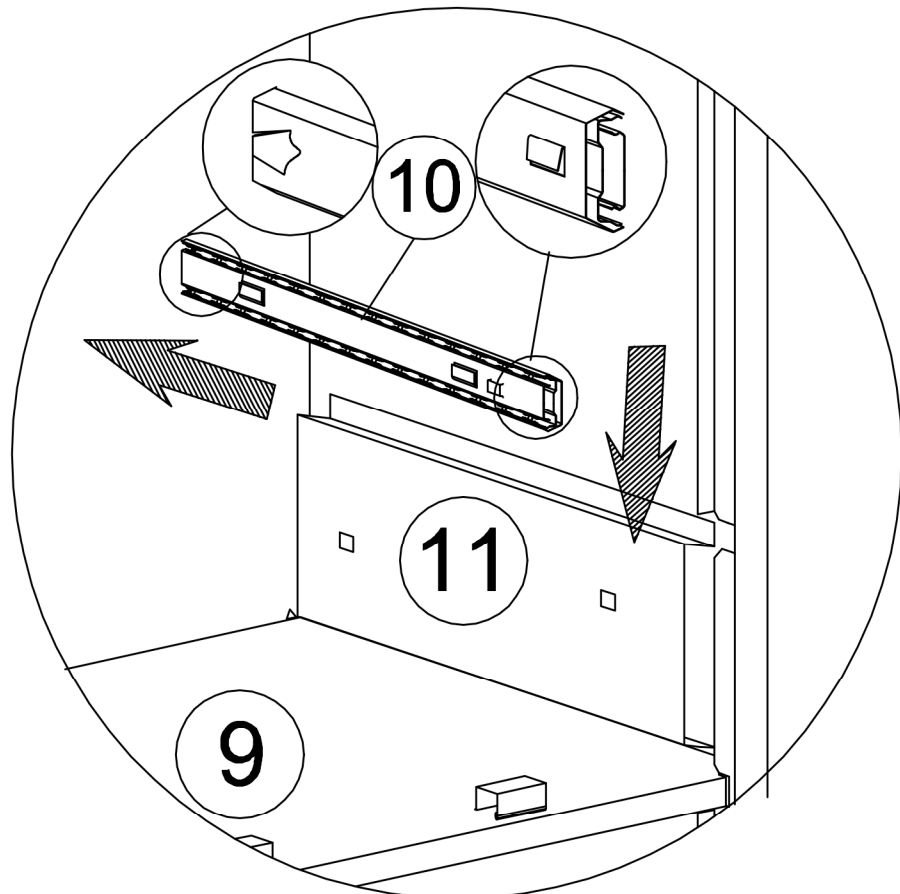
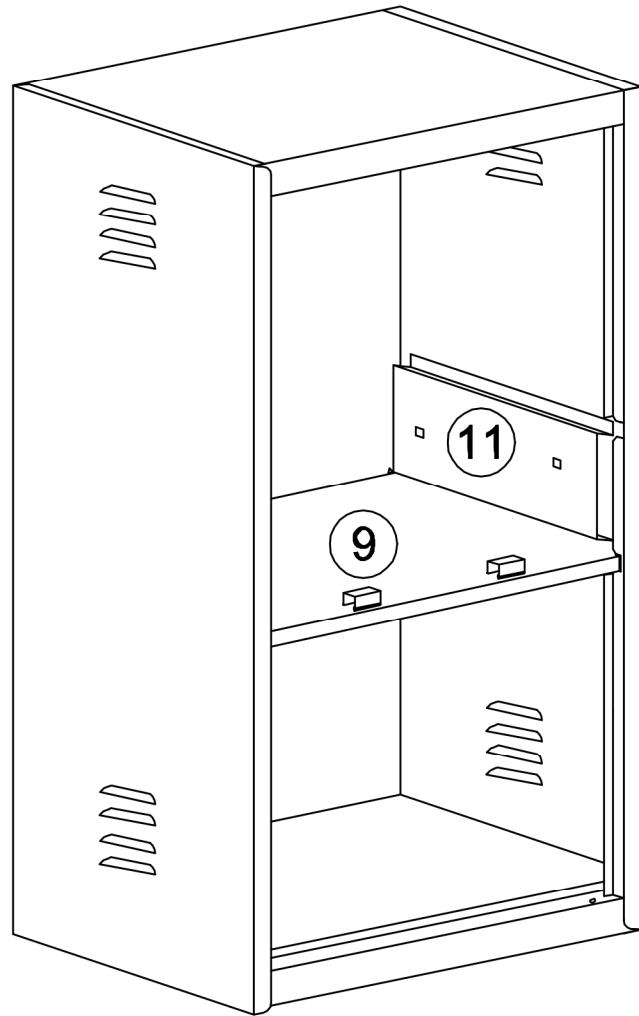


STEP-10

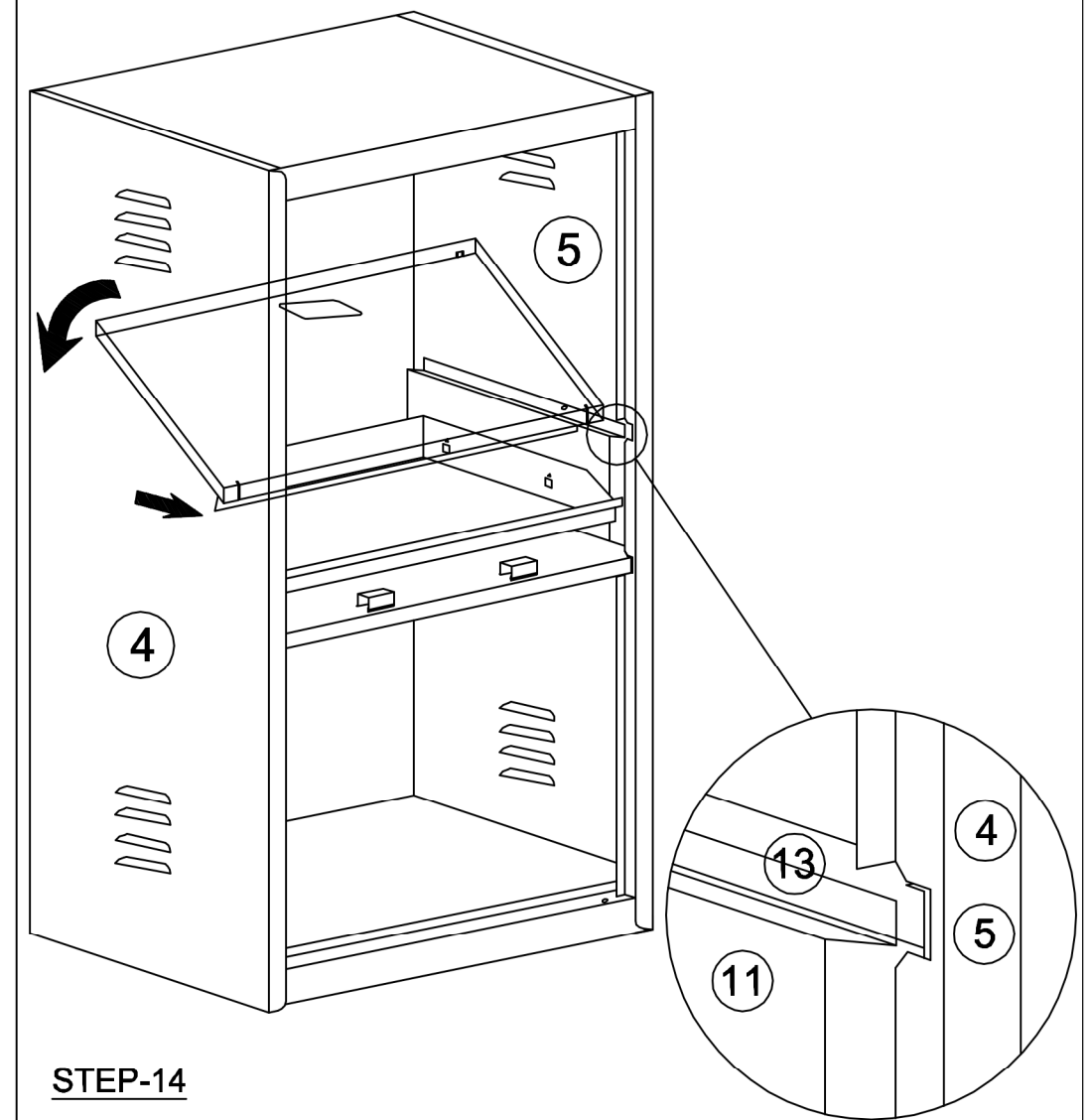
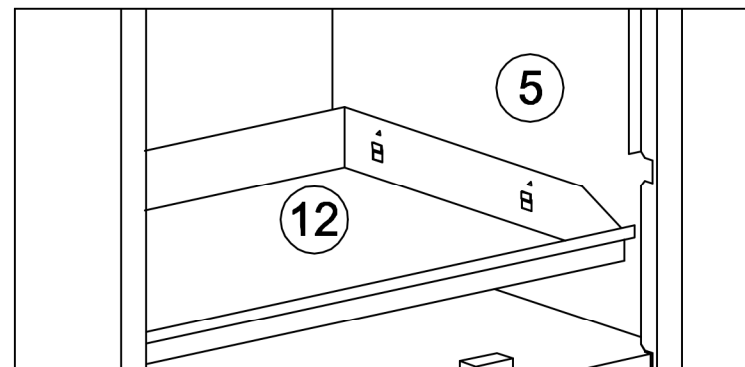
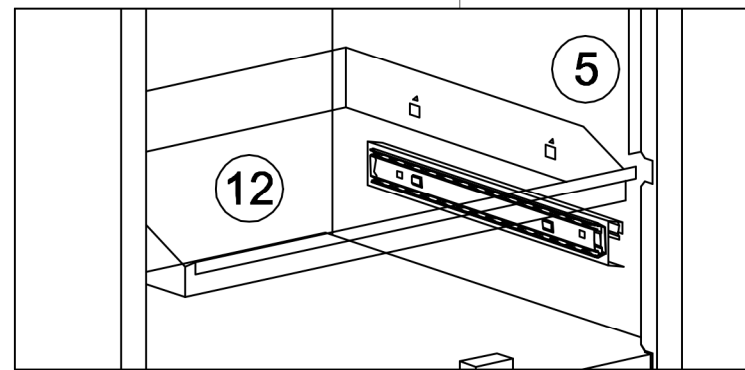
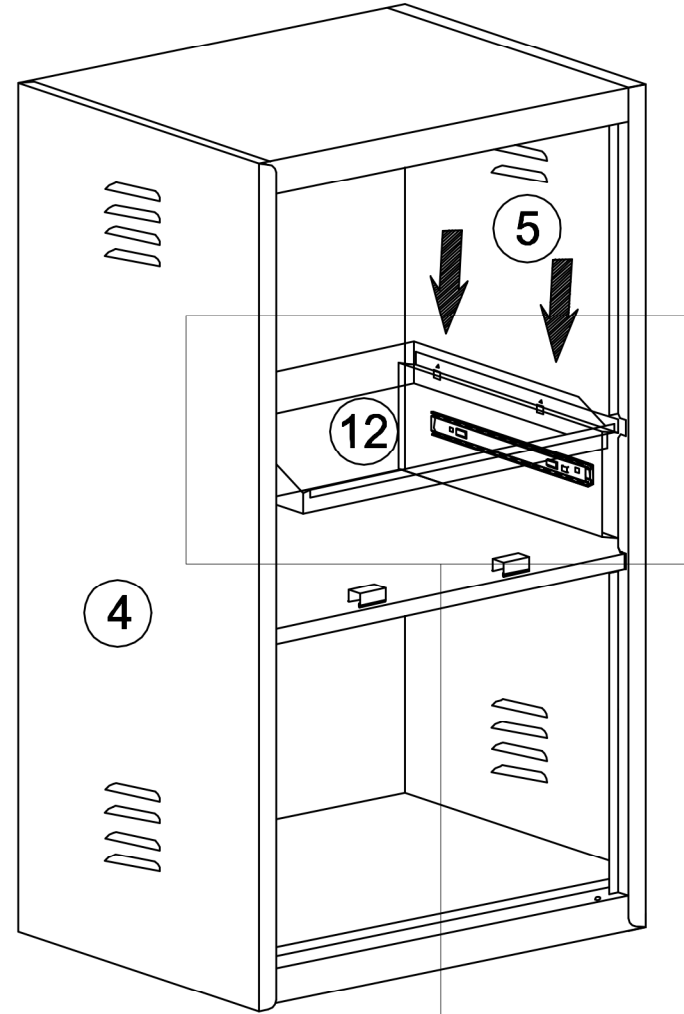


STEP-11

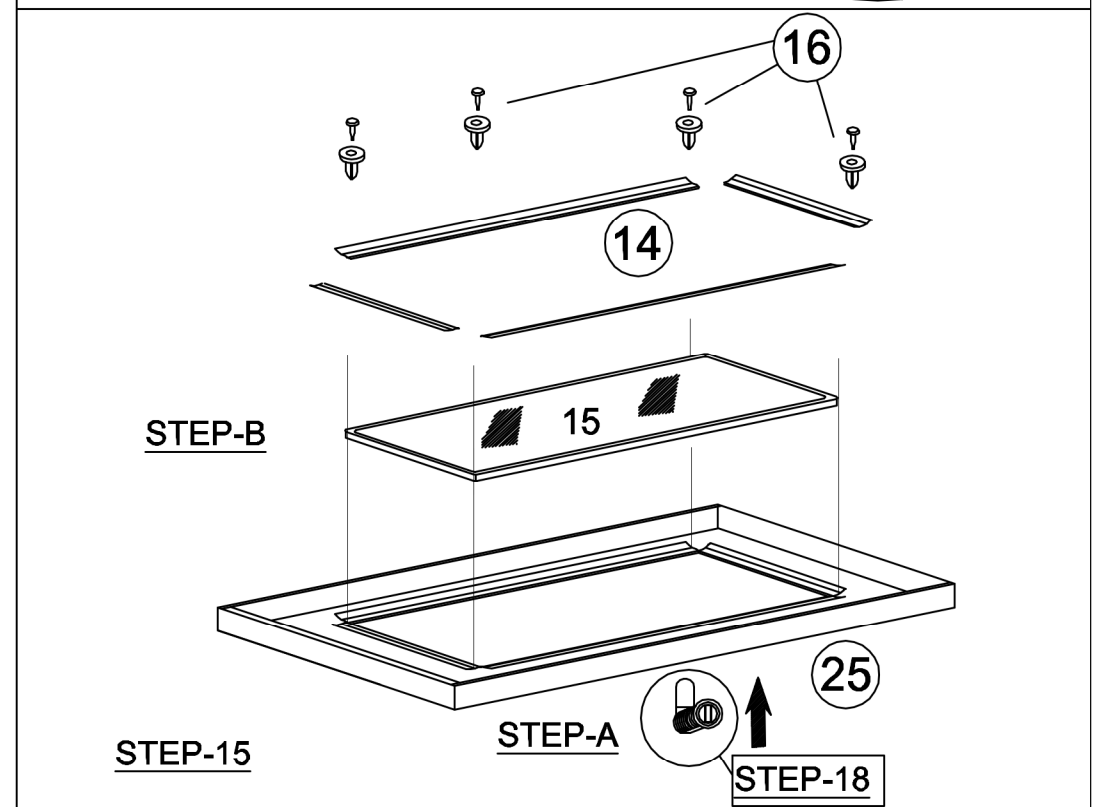
STEP-12

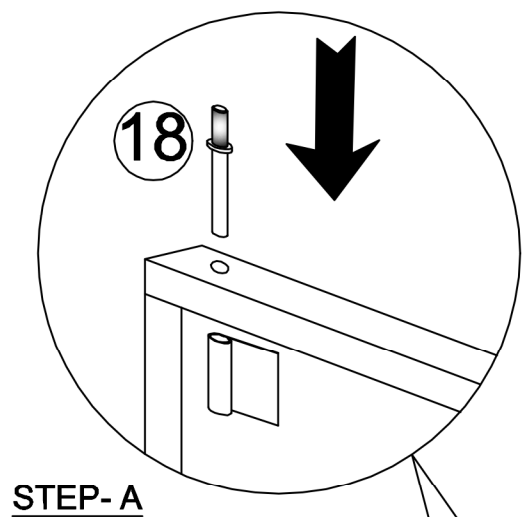


STEP-13

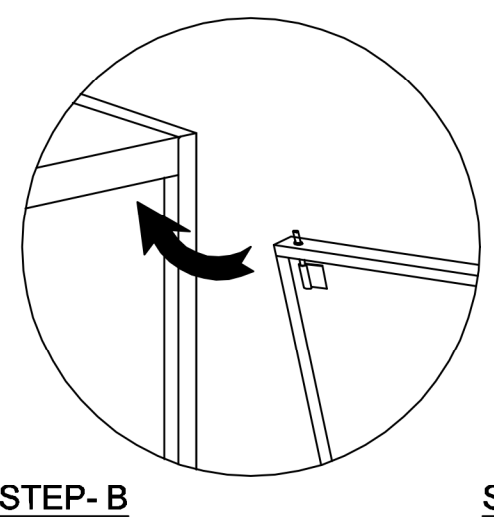


STEP-14

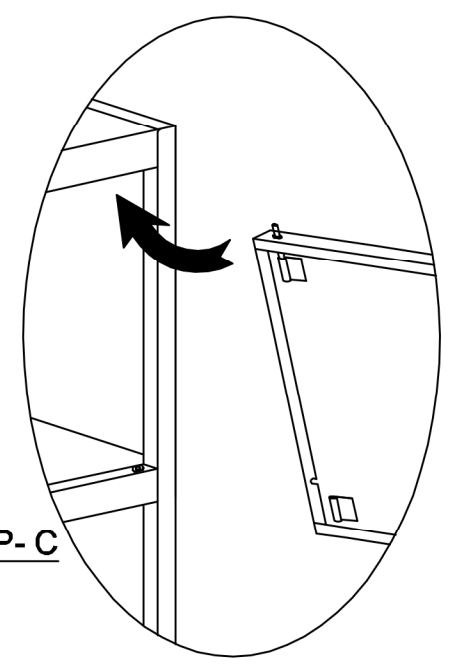




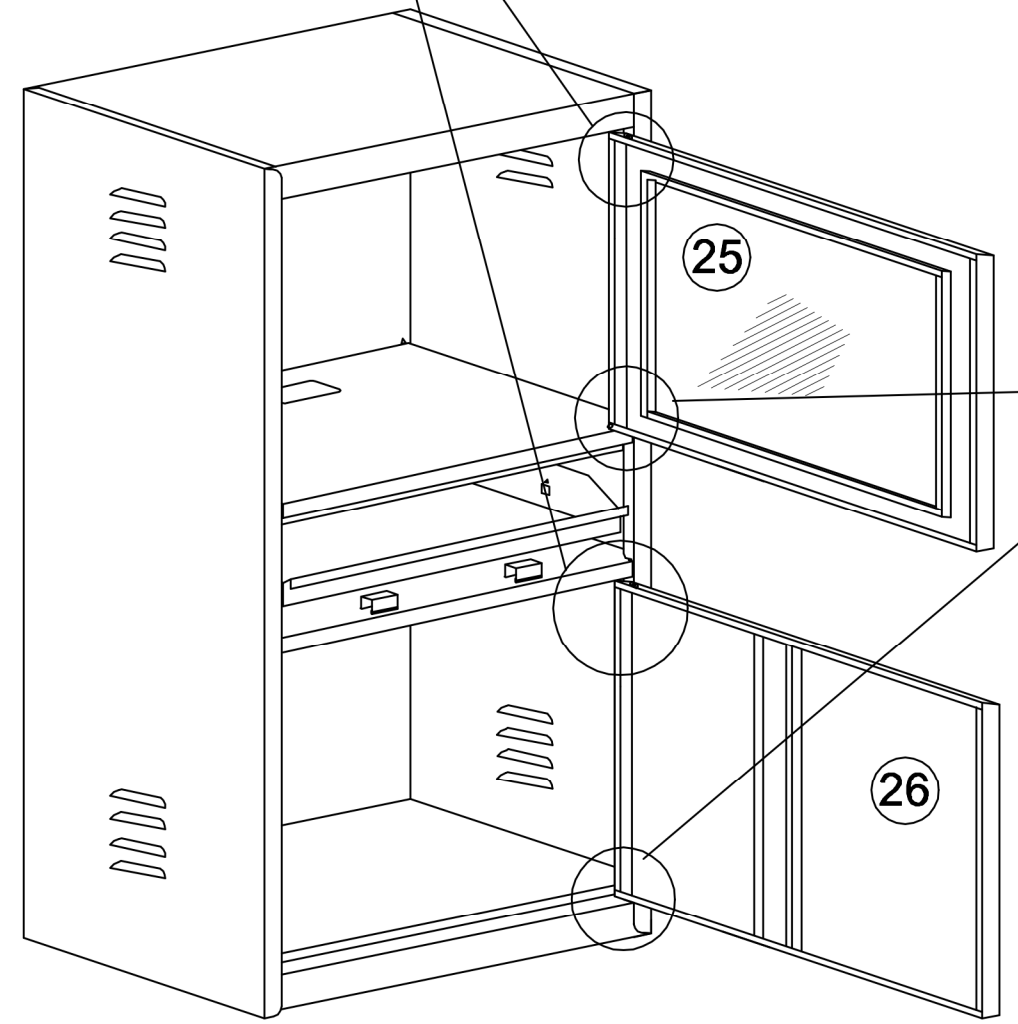
STEP-A



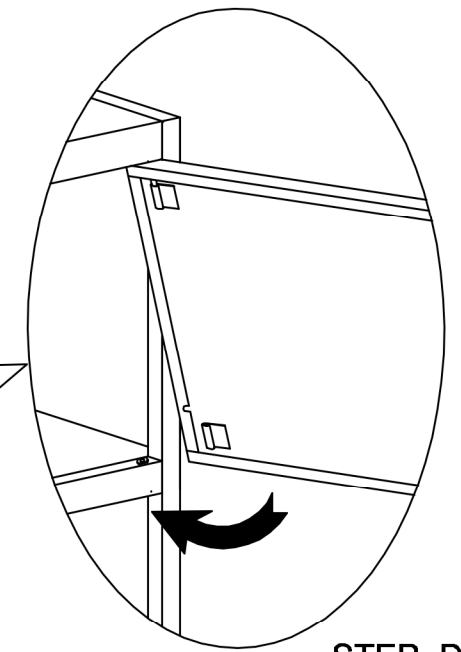
STEP-B



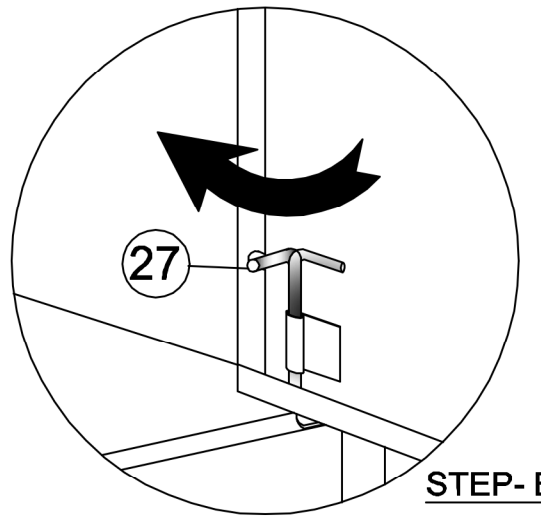
STEP-C



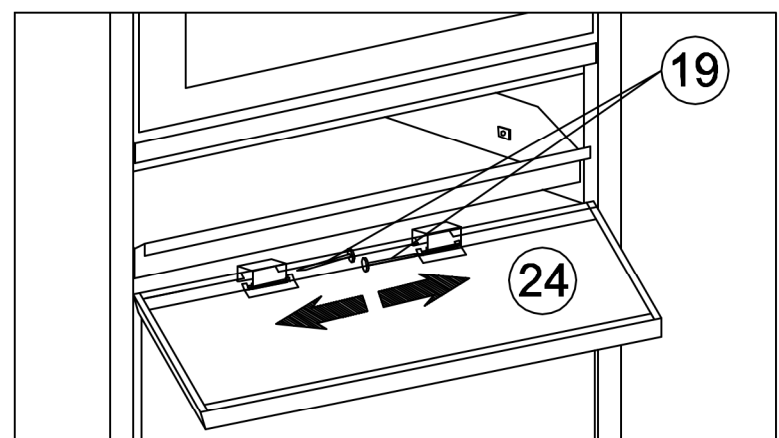
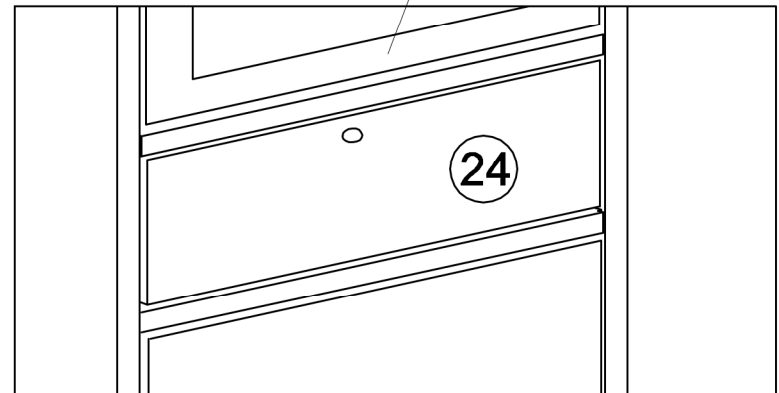
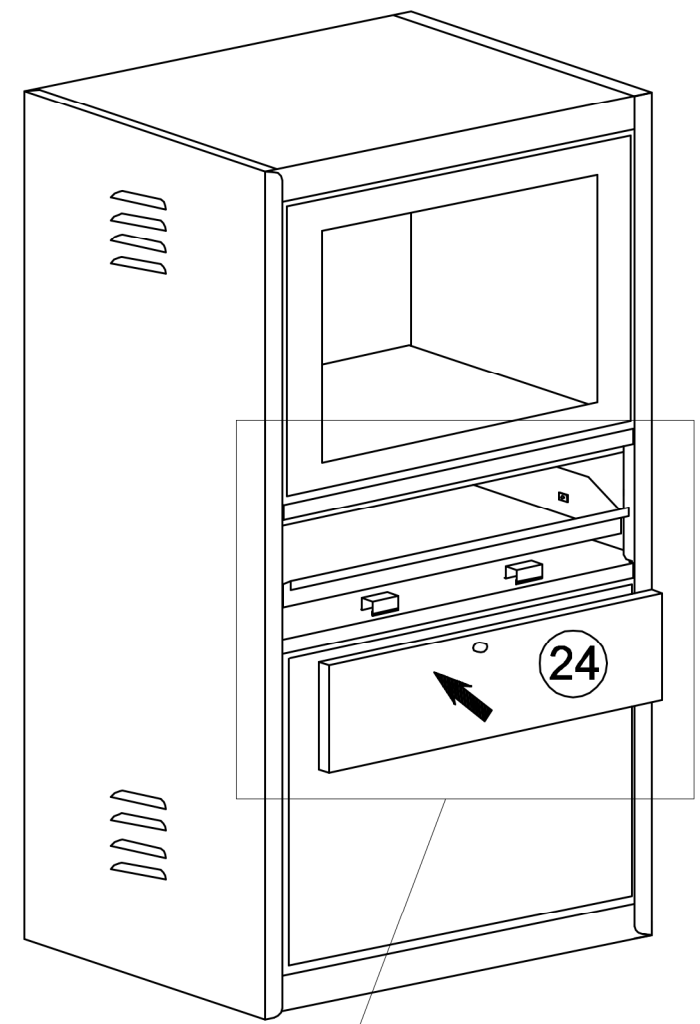
STEP-16



STEP-D

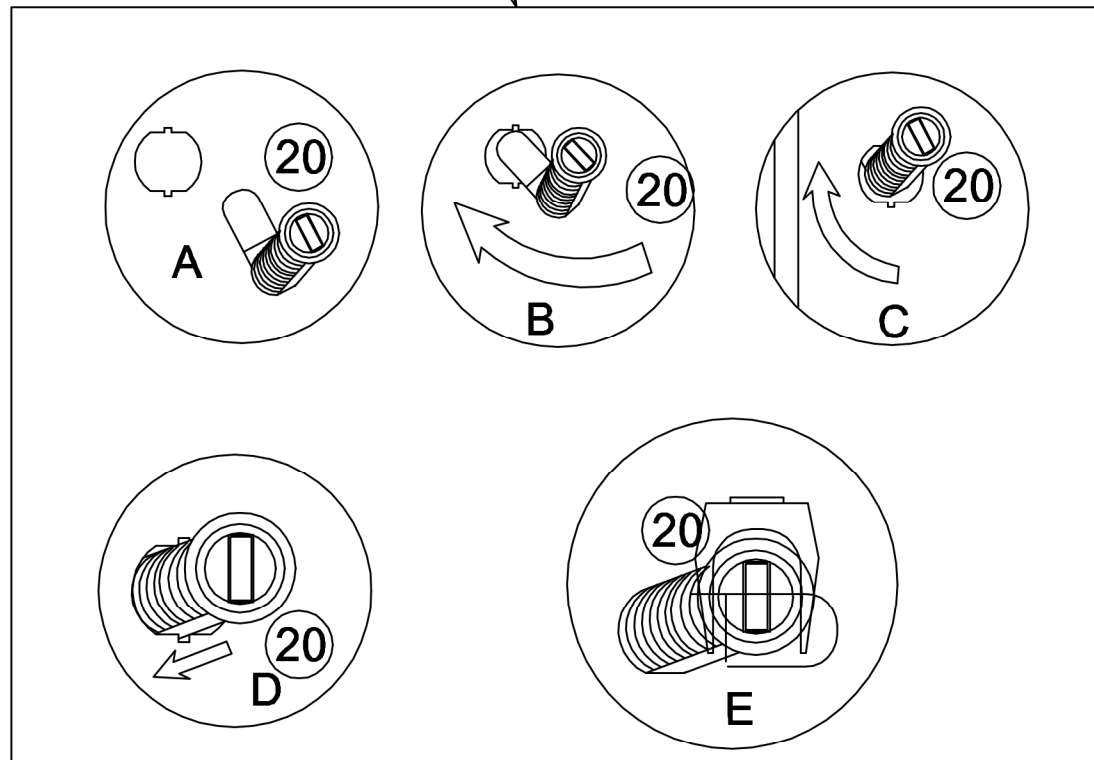
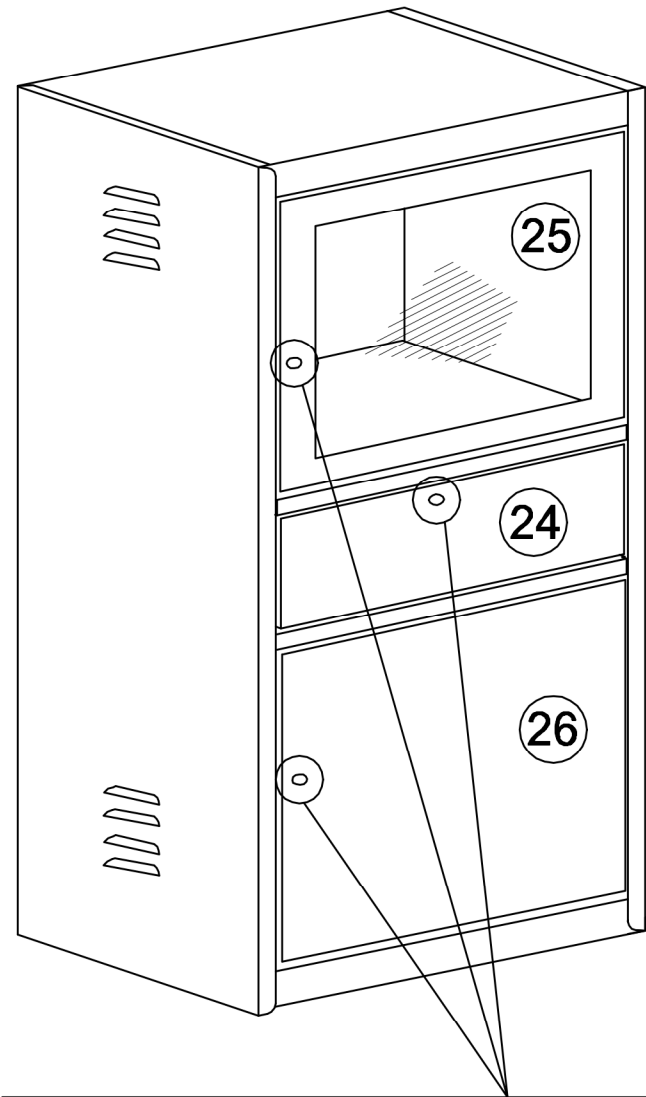


STEP-E



STEP-17

STEP-18



STEP-19

